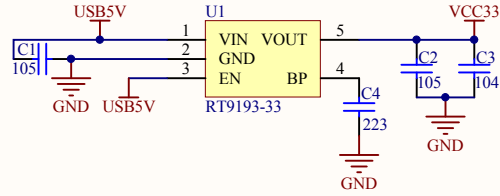
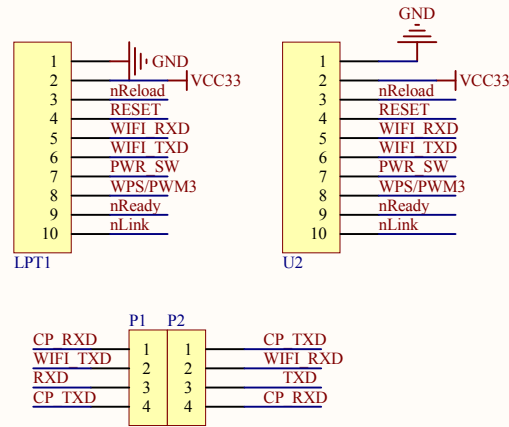


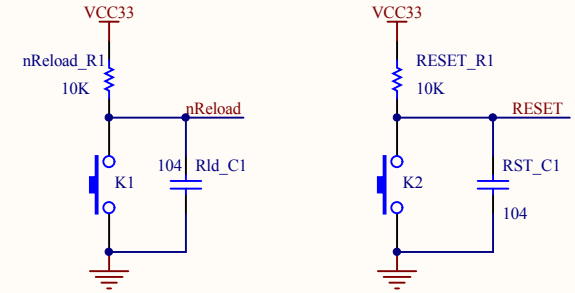
# POWER



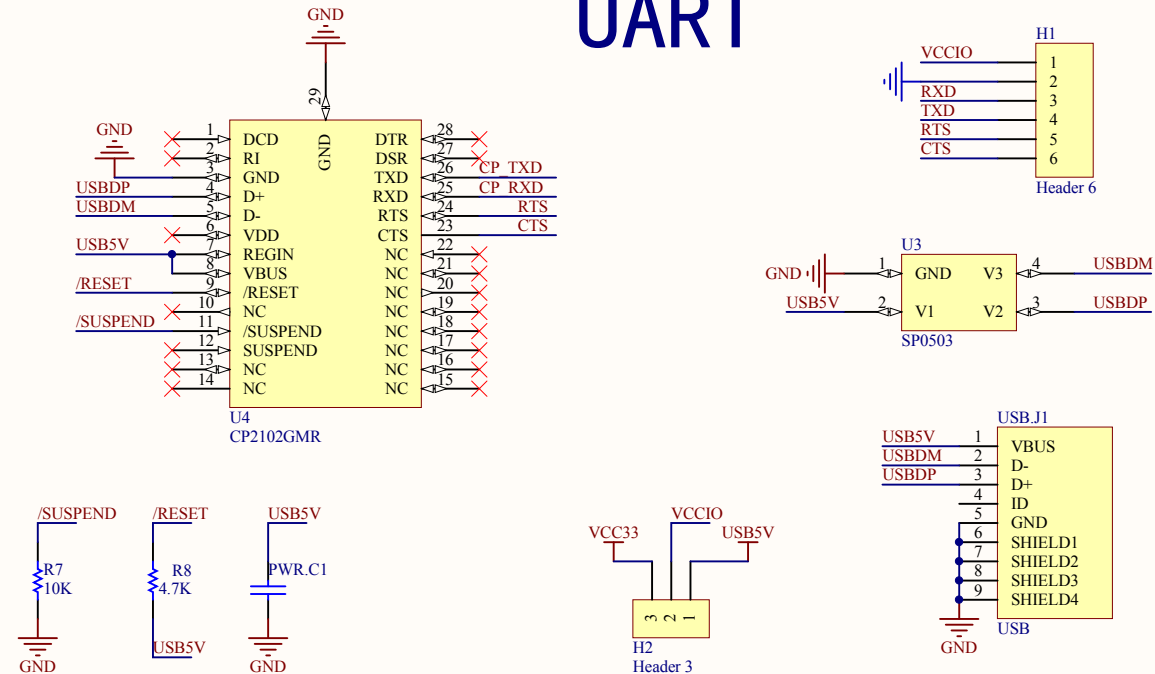
# WIFI



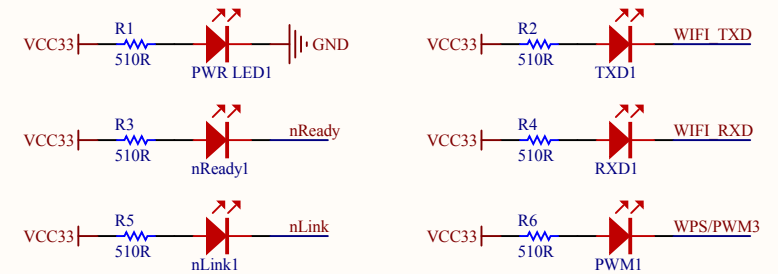
# KEY



# UART



# LED



Title		
Size	Number	Revision
A4		
Date:	2014/5/21	Sheet of
File:	F:\saber\WIFI400.SchDoc	Drawn By:

Comment	Description	Designator	Footprint	LibRef	Quantity
waveshare_logo		1	WS_symbol_L	waveshare_logo	1
105	Capacitor	C1, C2	0603	C_0603	2
104	Capacitor	C3, Rld_C1, RST_C1	0603	C_0603, Cap	3
223	Capacitor	C4	0603	C_0603	1
Header 6	Header, 6-Pin	H1	SIP6_LyingFather	Header 6	1
Header 3	Header, 3-Pin	H2	SIP3	Header 3	1
KEY3		K1, K2	KEY_3	KEY2_1	2
Header 10	Header, 10-Pin	LPT1	Header 10X1 -	Header 10	1
luosihole S		luosihole S1, luosihole S2, luosihole S3, luosihole S4	luosihole S	luosihole S	4
LED_0805		nLink1, nReady1, PWM1, PWR LED1, RXD1, TXD1	0805_LED	LED_0805	6
R_0603	Resistor	nReload_R1	0603	R_0603	1
Header 4	Header, 4-Pin	P1, P2	SIP4	Header 4	2
27P		PWR.C1	0603	CAP104	1
510R	Resistor	R1, R2, R3, R4, R5, R6	0603	Res1	6
10K	Resistor	R7, RESET_R1	0603	R_0603, Res1	2
4.7K	Resistor	R8	0603	Res1	1
RT9193-33		U1	SOT-23-5	RT9193-33	1
Header 10	Header, 10-Pin	U2	SIP10	Header 10	1
SP0503		U3	SP0503	SP0503	1
CP2102GMR		U4	CP2102_QFN28	CP2102GMR	1
USB		USB.J1	USB2	USB	1