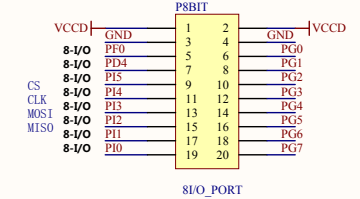
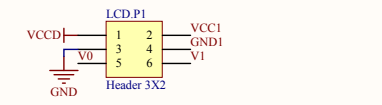
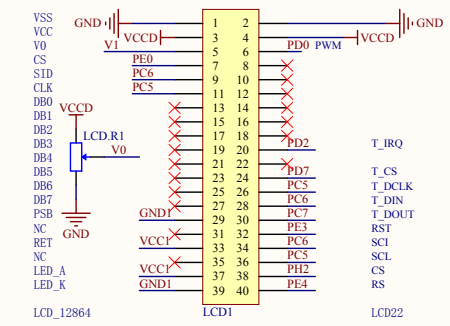
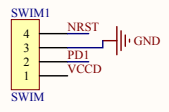
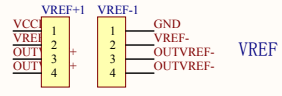
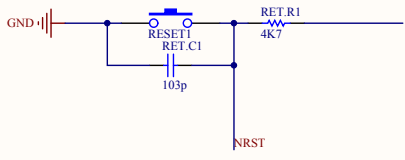


Port definition

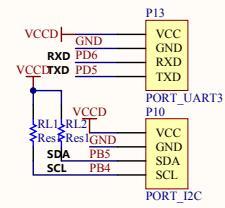
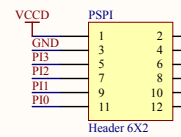
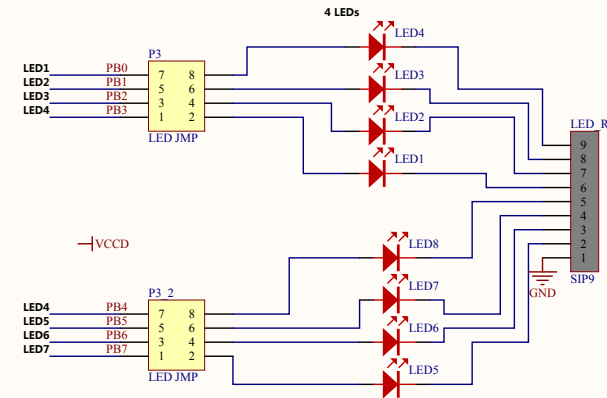
	12864	LCD22	TOUCH
MOSI	PC6	PC6	PC6
MISO	PC7	PC7	PC7
SCK	PC5	PC5	PC5
CS	PE0	PH2	PD7
RS	PE3	PE4	PE4
EST	PE4	PE4	PE4
IRQ	PE4	PD2	PD2
PWM	PD0	PD0	PD0



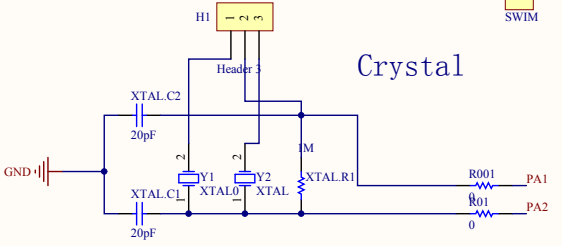
RESET



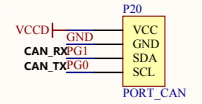
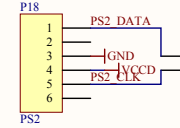
LCD PORT



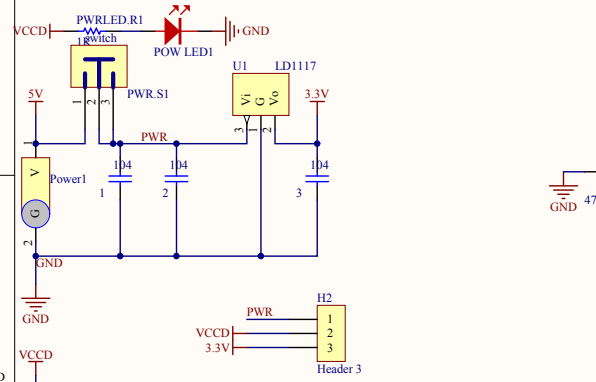
Crystal



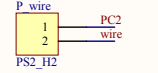
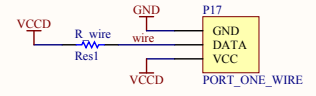
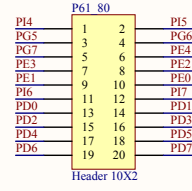
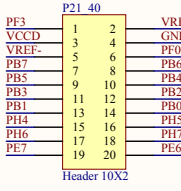
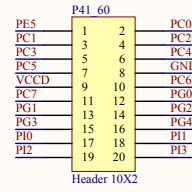
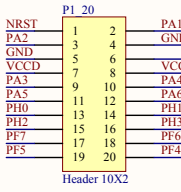
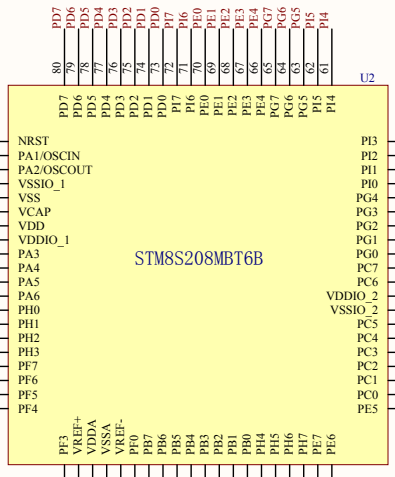
PS2



Power Supply



STM8S208MBT6B



Title		
Size	Number	Revision
A3		
Date:	2012/6/30	Sheet of
File:	E:\pcb\...STM8S208 SchDoc	Drawn By: