

W aveshare ST

+

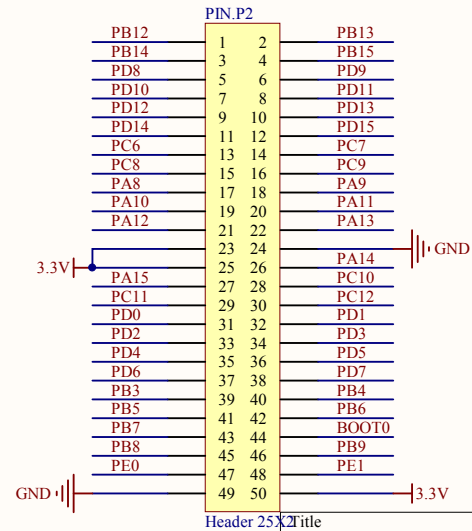
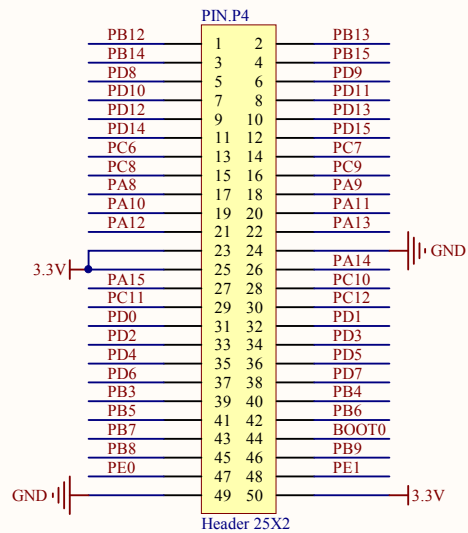
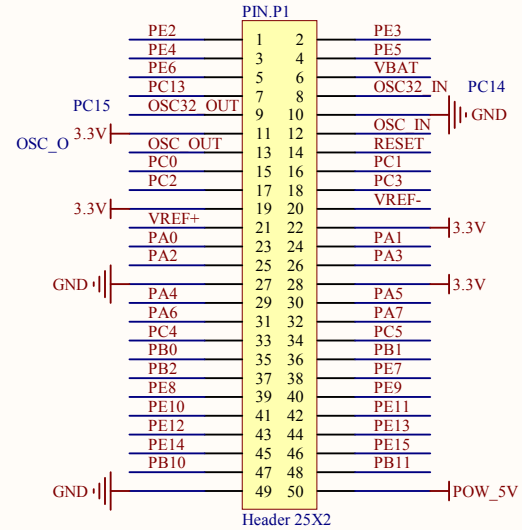
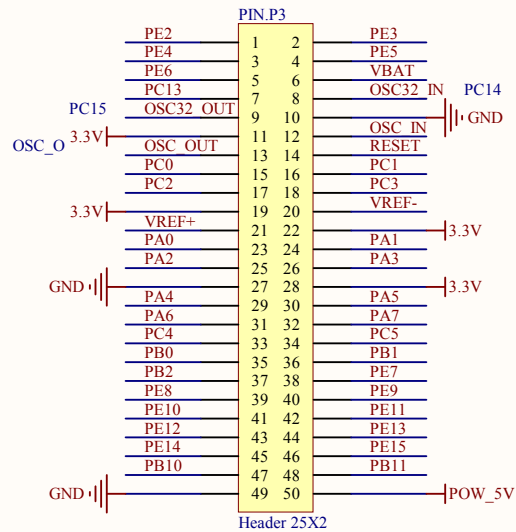
+

+

+

Title

Size	Number	Revision
A3		
Date:	2012/9/25	Sheet of
File:	FWP(CB)_Interface_SchDoc	Drawn By:



IO PORT

Open407V-C

Size	Number	Revision
A4		
Date:	2012/9/25	Sheet of
File:	E:\PCB\MCU\STM32\Open407V-C\MCU_SchDoc	By: