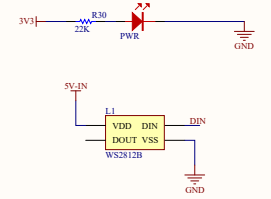
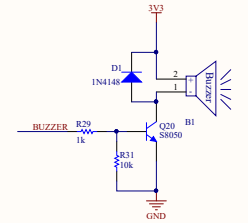
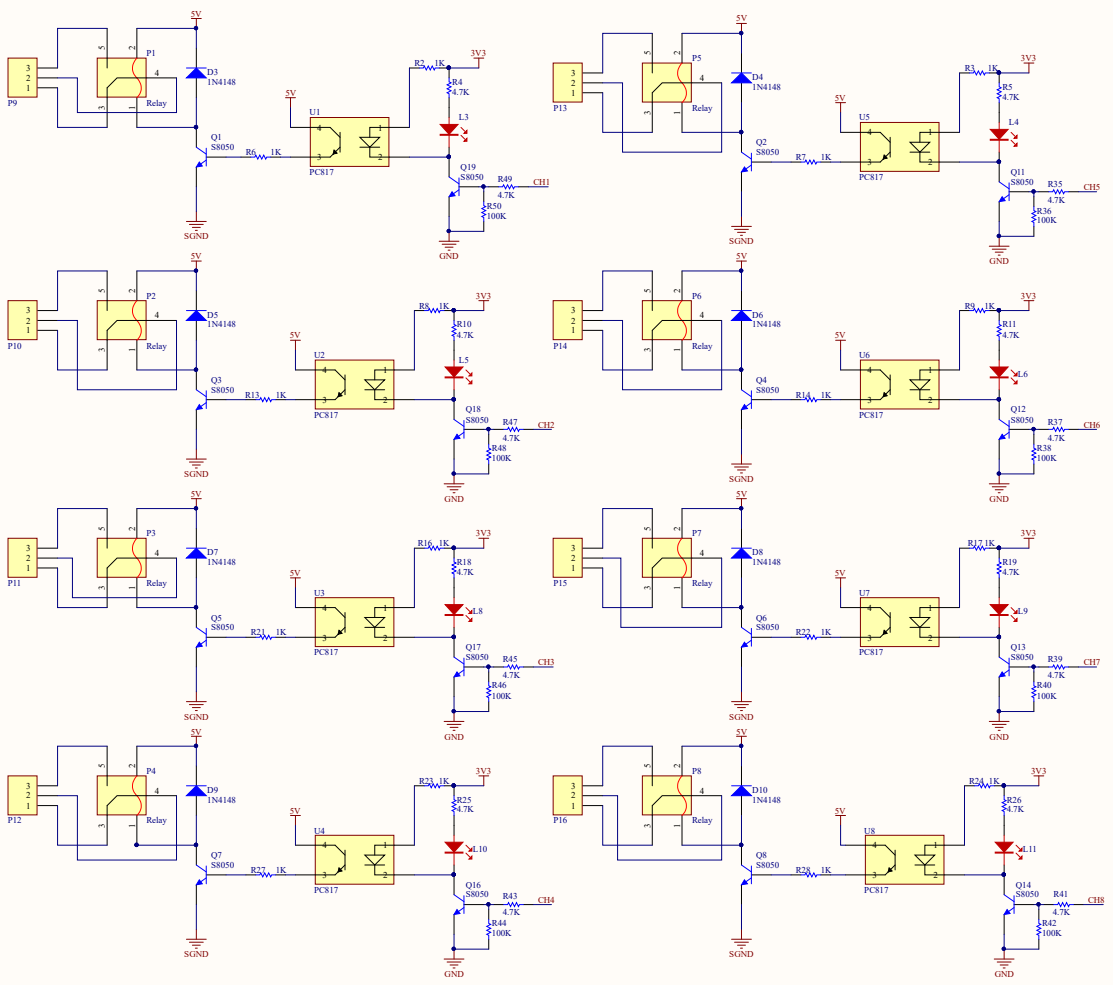
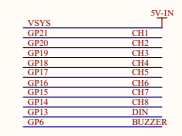


Pico

U20		USB BUS		VBUS	
GP0	1	GP00	39	VSSYS	39
GP1	2	GP01	40	VSSYS	39
GND	3	GND	38	GND	38
GP2	4	GND	37	3V3_EN	37
GP3	5	GP02	3V3_IN	36	3V3(OUT)
GP4	6	GP03	3V3	35	ADC_VREFP
GP5	7	GP04	ADC_VREF	34	GP28
GND	8	GP05	IO2/ADC1	33	GND
GP6	9	GND	AGND	32	GND
GP7	10	GP06	IO27/ADC1	31	GP26
GP8	11	GP07	IO26/ADC0	30	RUN
GP9	12	GP08	RUN	29	GP22
GND	13	GP09	GP022	28	GND
GP10	14	GND	GND	27	GP21
GP11	15	GP010	GP021	26	GP20
GP12	16	GP011	GP020	25	GP19
GP13	17	GP012	GP019	24	GP18
GND	18	GP013	GP018	23	GND
GP14	19	GND	GND	22	GP17
GP15	20	GP014	GP017	21	GP16
GP16	21	GP015	GP016		
DP-C	42	USB_DP	41	BOOT	
DM-C	43	USB_DM			

Pico (43F)



W winspire
Pico-Relay-B