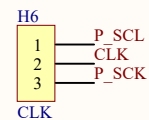
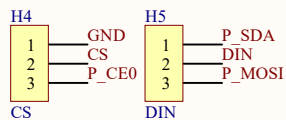
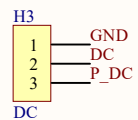
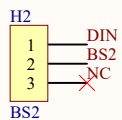
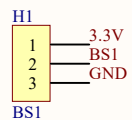
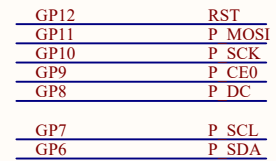
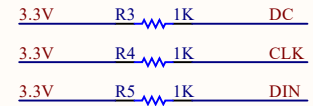
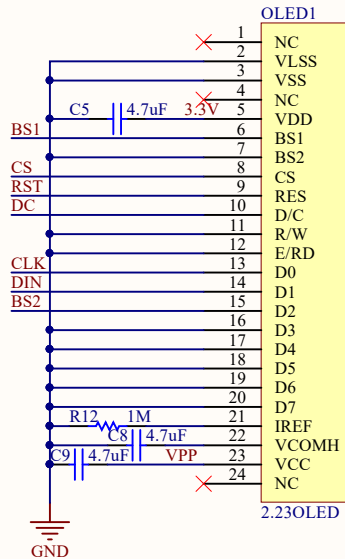
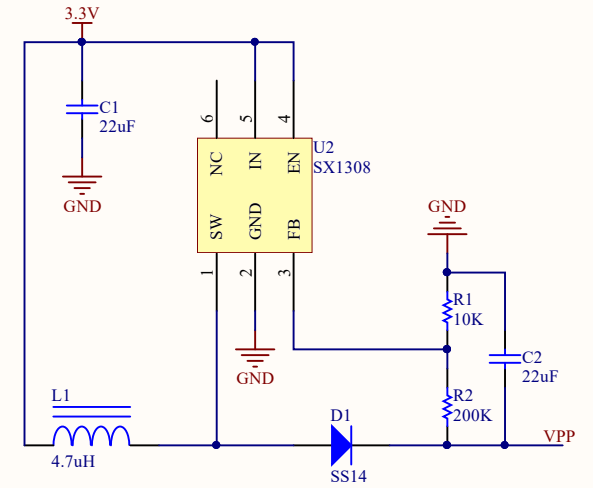
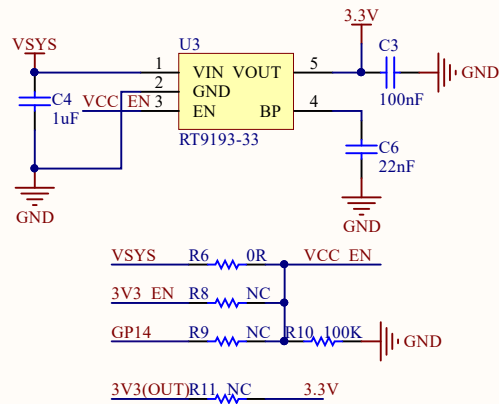


U1		Pi pico (40P)	
GP0	1	GPIO0	40
GP1	2	GPIO1	39
GND	3	VSYS	38
GP2	4	GND	37
GP3	5	GPIO2	36
GP4	6	3V3_EN	35
GP5	7	GPIO3	34
GND	8	ADC_VREF	33
GP6	9	GPIO5	32
GP7	10	IO27/ADC1	31
GP8	11	IO26/ADC0	30
GP9	12	GPIO8	29
GND	13	GPIO9	28
GP10	14	GND	27
GP11	15	GPIO10	26
GP12	16	GPIO11	25
GP13	17	GPIO12	24
GND	18	GPIO13	23
GP14	19	GND	22
GP15	20	GPIO14	21
		GPIO15	20



W_{aveshare}
Pico-OLED-2.23