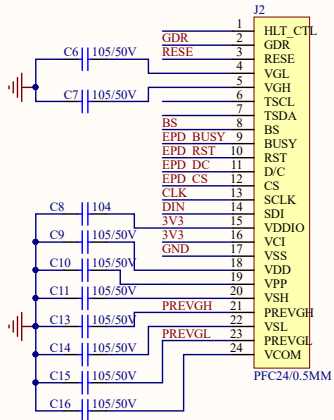
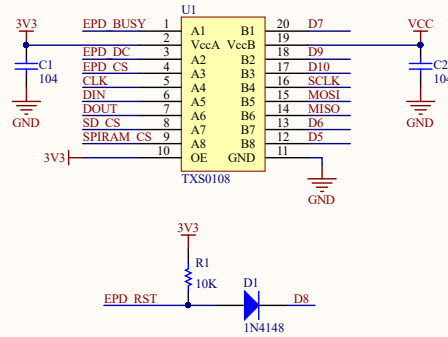


BS	VCC	GND
Interface	3-line SPI	4-line SPI

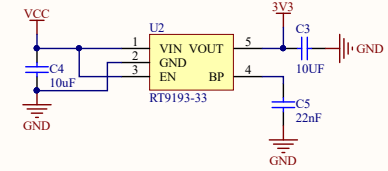
e-Paper



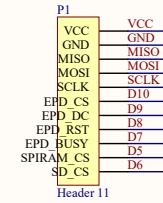
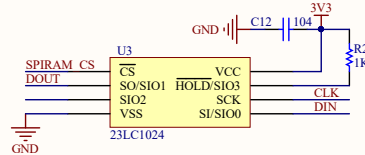
Level conversion



Power

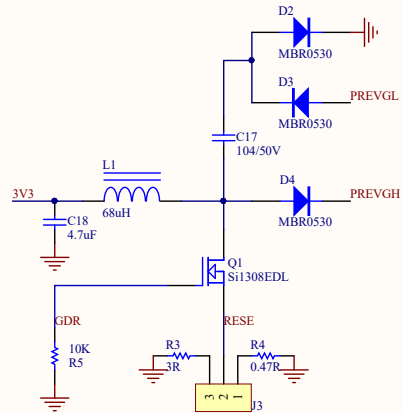


SPI RAM



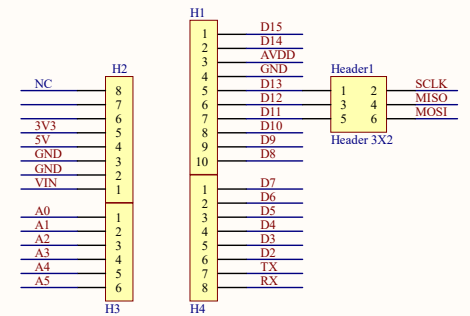
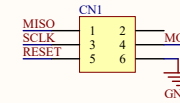
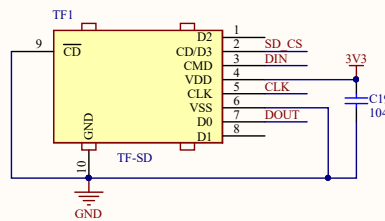
W aveshare

e-Paper Shield



A (R2)	B (R3)
1.54inch	other
2.13inch	
2.9inch	

SD Card



Interface