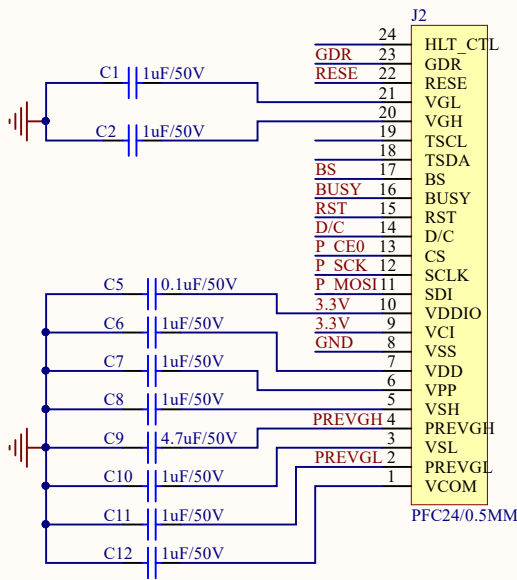
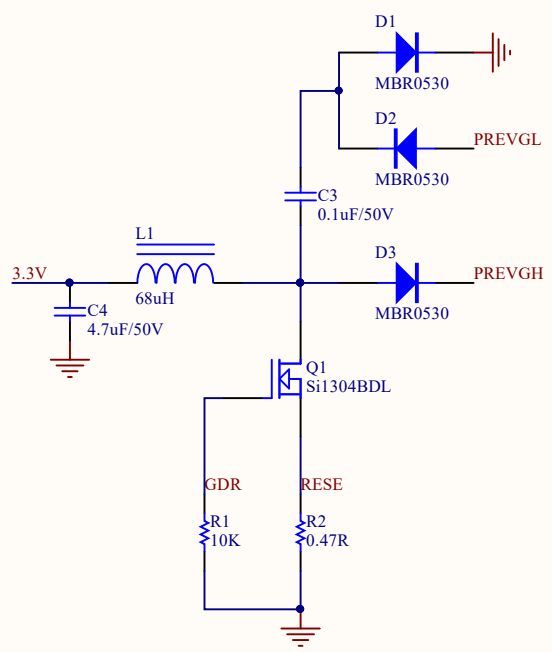


	VCC	GND
BS	3-line SPI	4-line SPI



BCM	wPi	P2	wPi	BCM
2	8	3.3V	1	5V
3	9	P_SDA	3	5V
4	7	P_SCL	5	GND
		P4	7	P_TX
		GND	8	P_RX
17	0	RST	9	P18
27	2	P27	11	12
22	3	P22	13	GND
		3.3V	15	BUSY
10	12	P_MOSI	17	GND
9	13	P_MISO	19	D/C
11	14	P_SCK	21	P_CE1
		GND	23	P_CE0
		ID_SD	25	ID_SC
5	21	P5	27	GND
6	22	P6	29	GND
13	23	P13	31	P12
19	24	P19	33	GND
26	25	P26	35	P16
		GND	37	P20
			38	P21

2.7inch e-Paper HAT