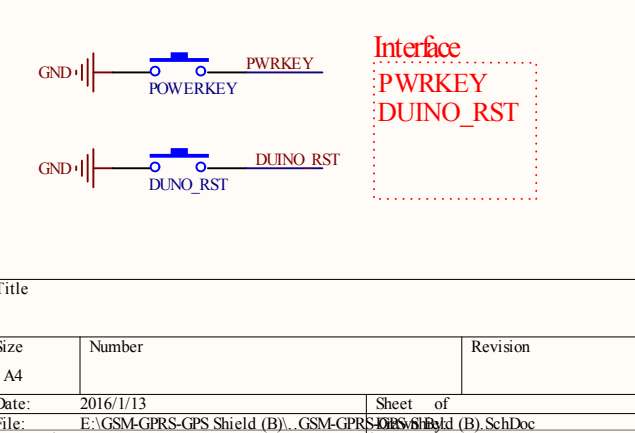
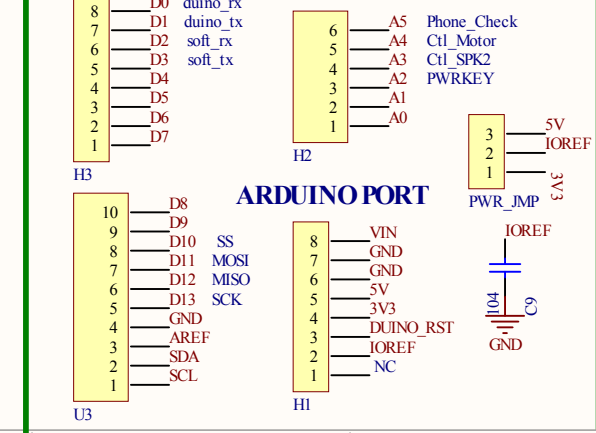
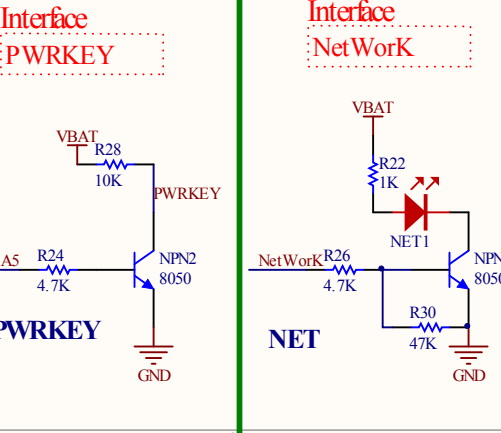
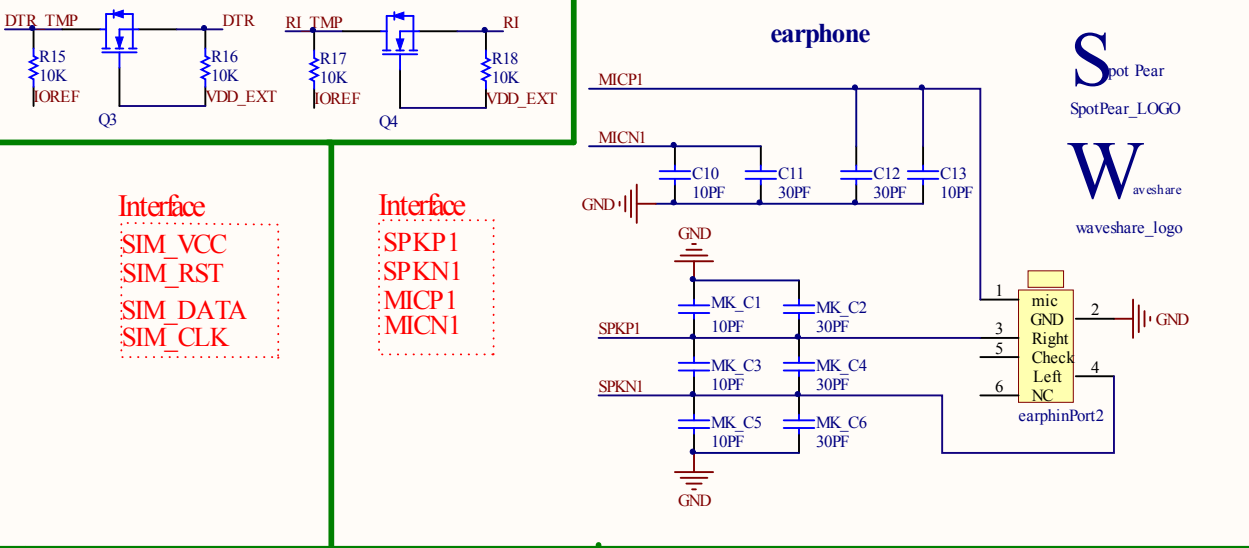
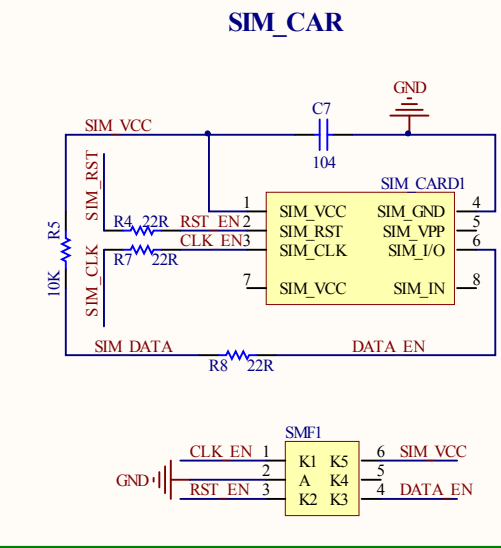
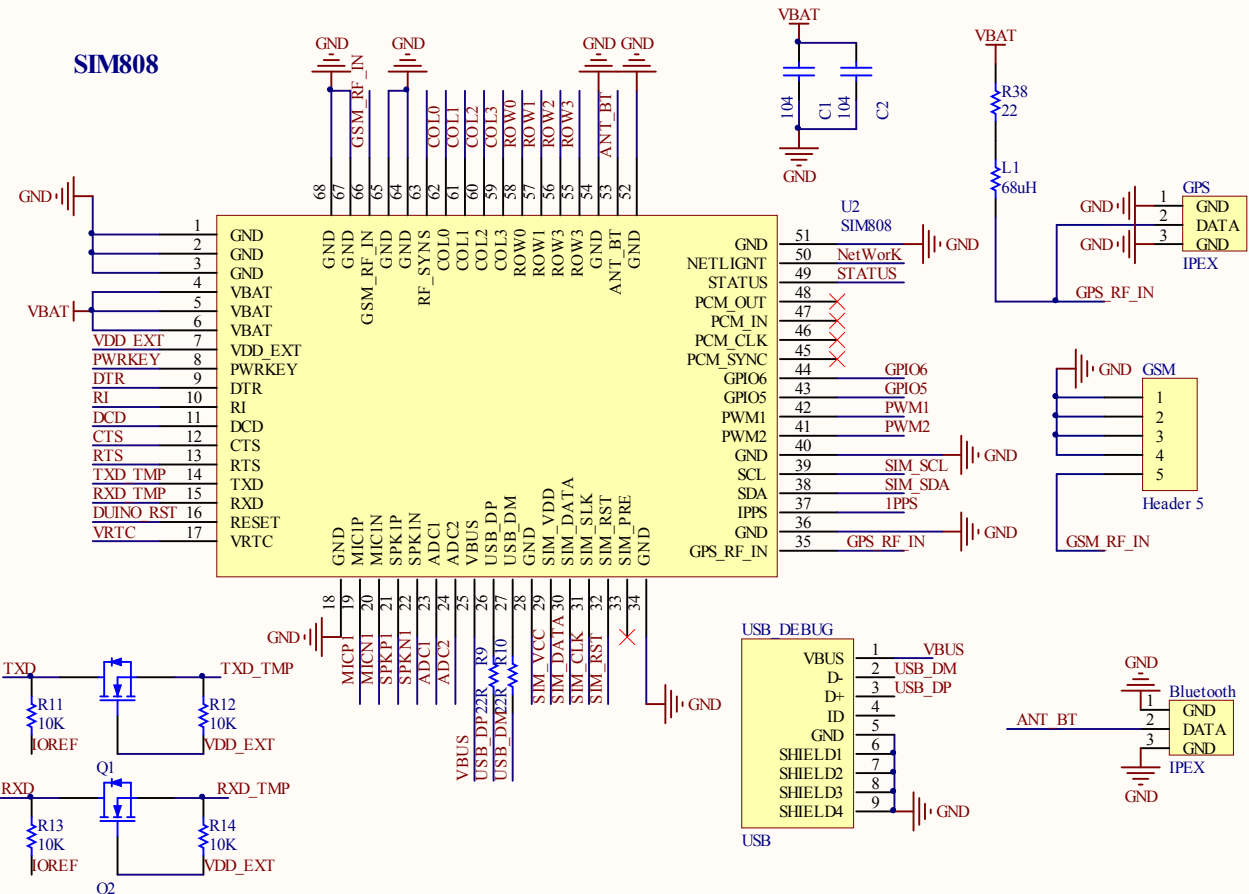
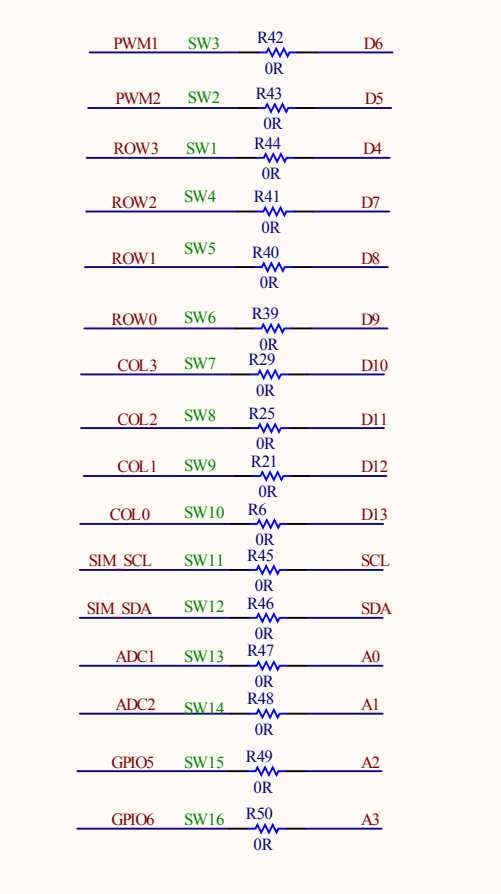
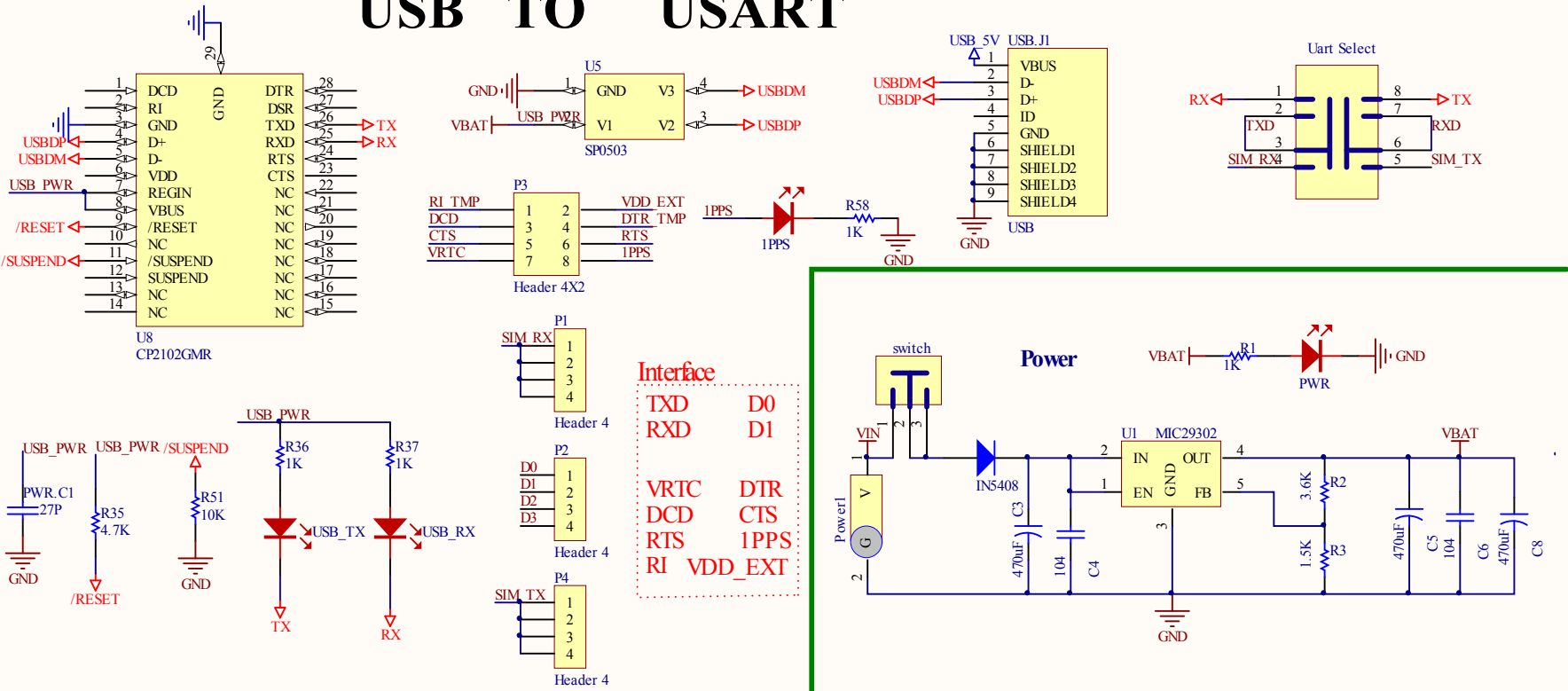


# USB TO USART



Title		
Size	A4	Number
Date:	2016/1/13	Sheet of
File:	E:\GSM-GPRS-GPS Shield (B)... GSM-GPRS-GPS Shield (B).SchDoc	