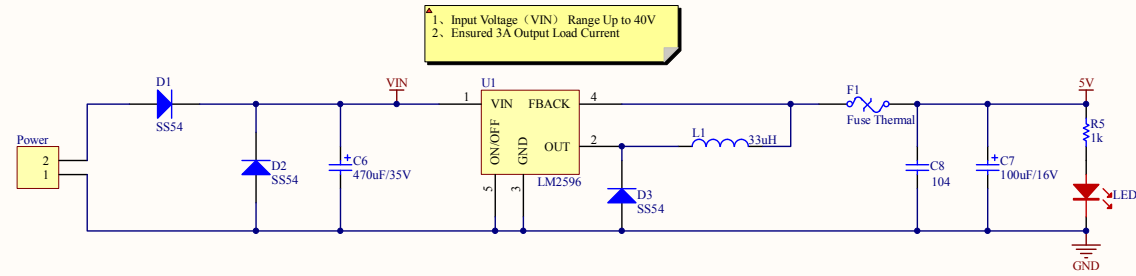
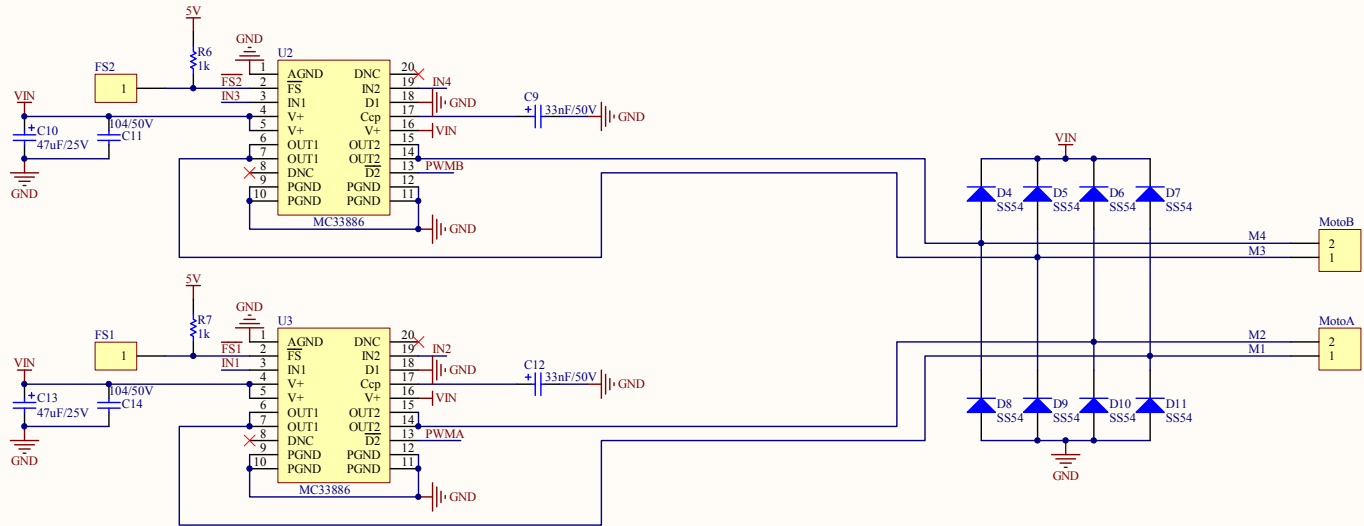


POWER

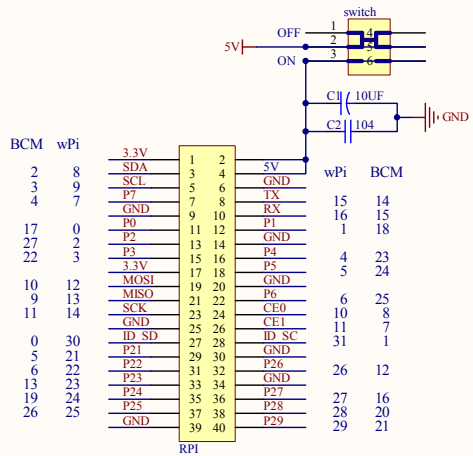


1. Input Voltage (VIN) Range Up to 40V
2. Ensured 3A Output Load Current

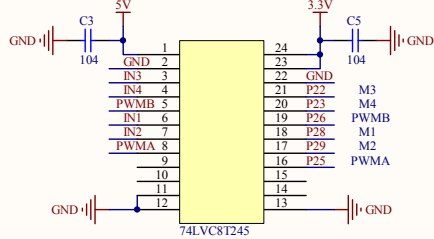
Motor



RPi



Level Translator



Infrared

