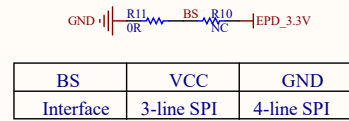


A (0.47)	B (3R)
1.54inch	2.13inch
2.66inch	2.7inch
7.5 HD inch	2.9inch
	3.7inch
	4.2inch
	5.65inch
	5.83inch
	7.5inch

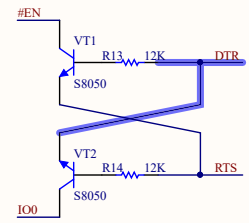
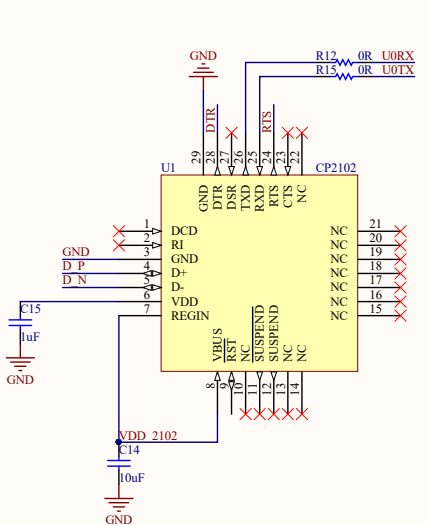


BS	VCC	GND
Interface	3-line SPI	4-line SPI

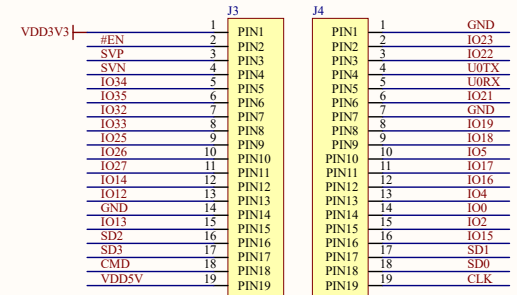
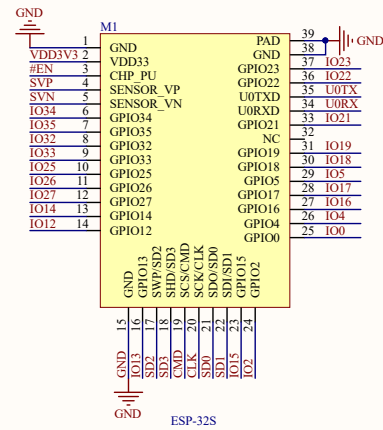
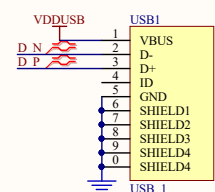
e-Paper

Power

Key



DTR	RTS	RST	GPIO0
1	1	1	1
0	0	1	1
1	0	0	1
0	1	1	0



IO Connectors

USB to UART

ESP-32S



e-Paper ESP32 Driver Board