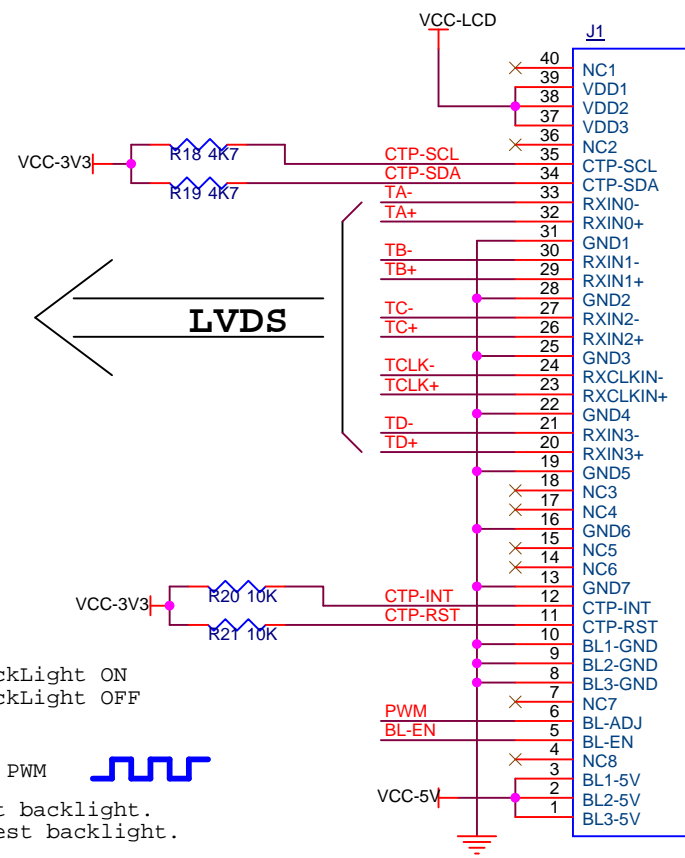


LCD Power

To MCU/MPU



LVDS

BL_EN = 1, BackLight ON
 BL_EN = 0, BackLight OFF

100Hz~200K Hz PWM

The maximum duty cycle, the darkest backlight.
 The minimum duty cycle, the brightest backlight.

To MCU/MPU IO