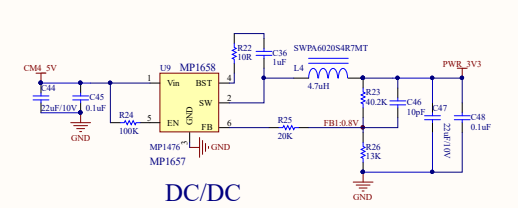
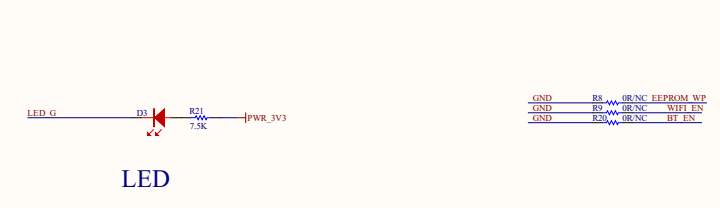


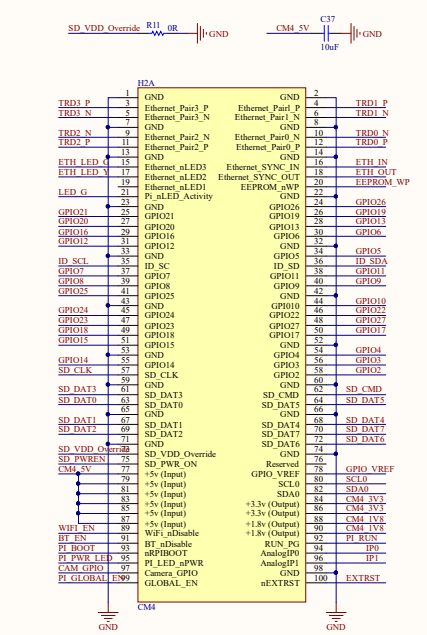
Type-C Power



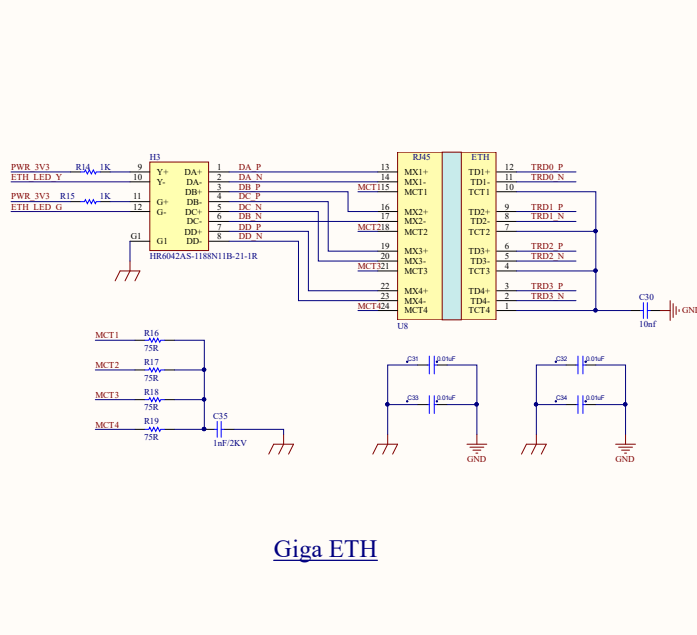
DC/DC



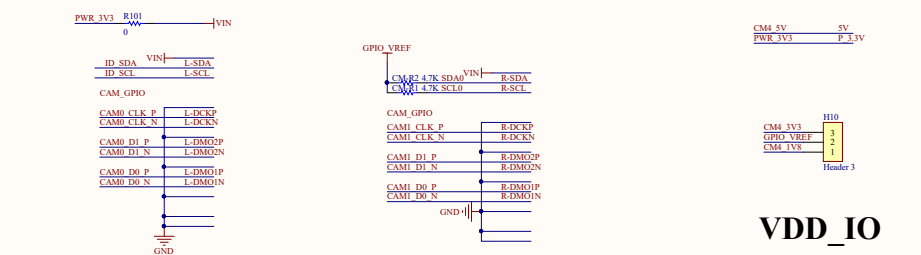
LED



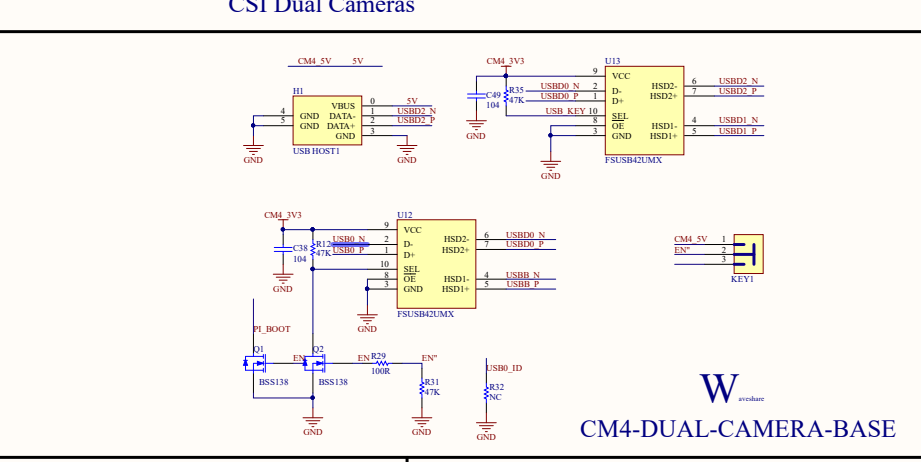
CM4 Interface



Giga ETH

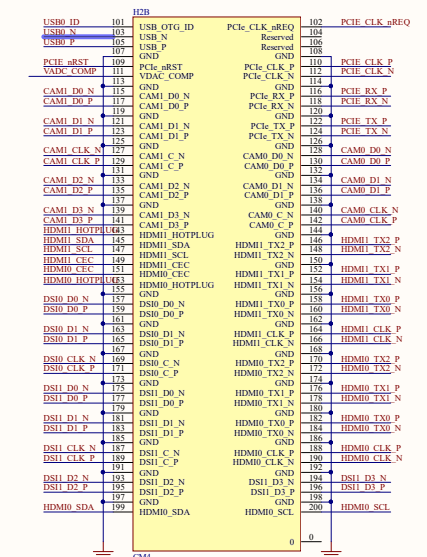


CSI Dual Cameras

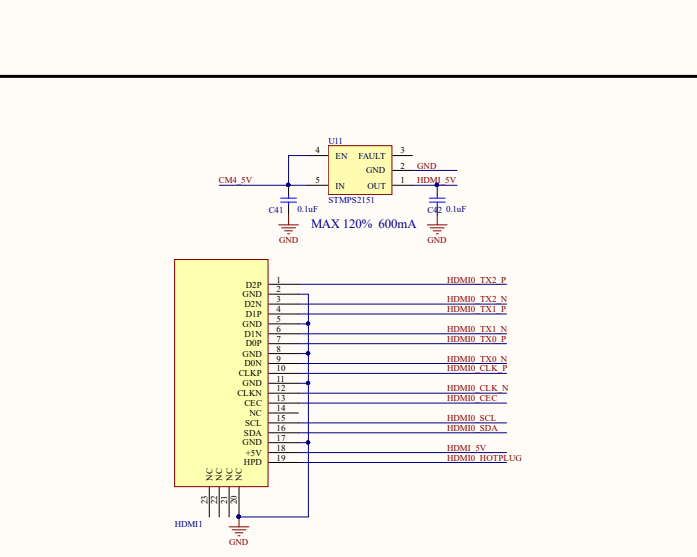


VDD_IO

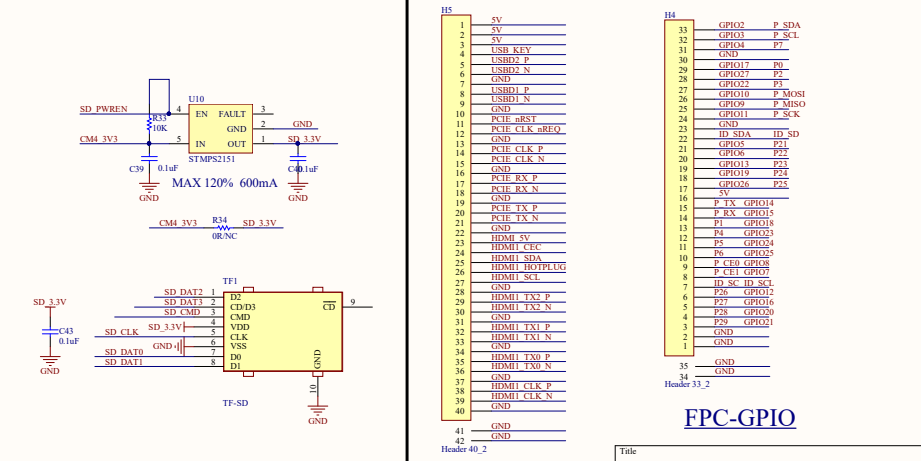
CM4-DUAL-CAMERA-BASE



HDMI



SD CARD



FPC-HDMI-USB

FPC-GPIO

Title	Number		Revision
Size	A2		
Date	2021/12/30		
File	E-PCB_CM4InterfaceSchDoc	Sheet	of
		Drawn By	