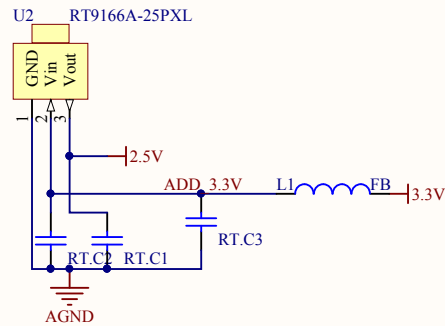
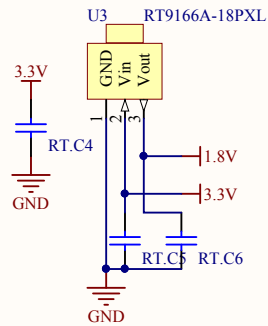
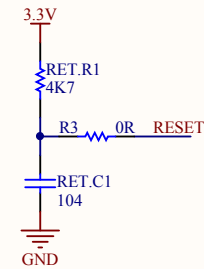
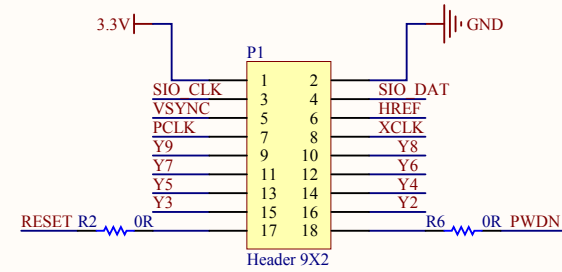
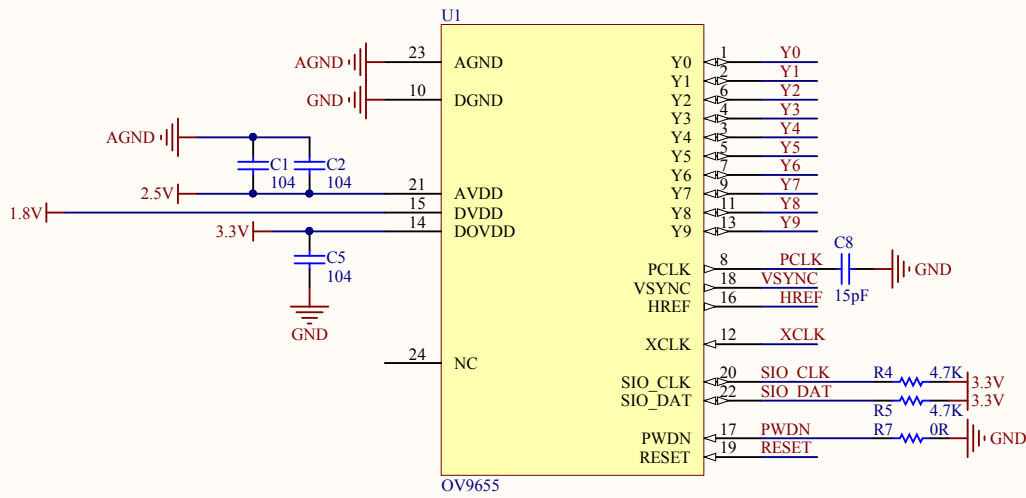


OV9655



OV9656 2640 Camera

Title		
Size A4	Number	Revision
Date: 2014/7/24 星期四	Sheet of	
File: \\.\OV9655 2640 Camera Board.SchDoc	Drawn By:	