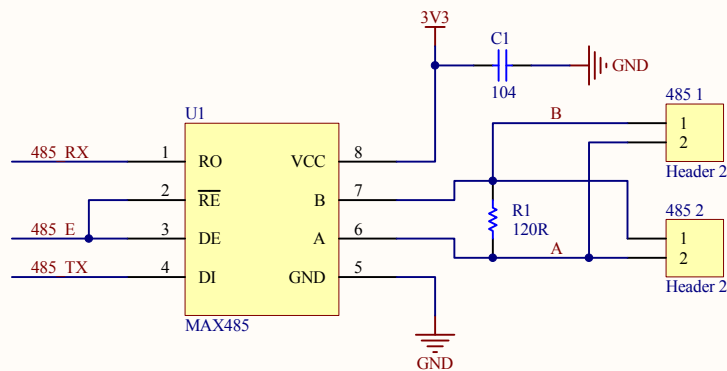
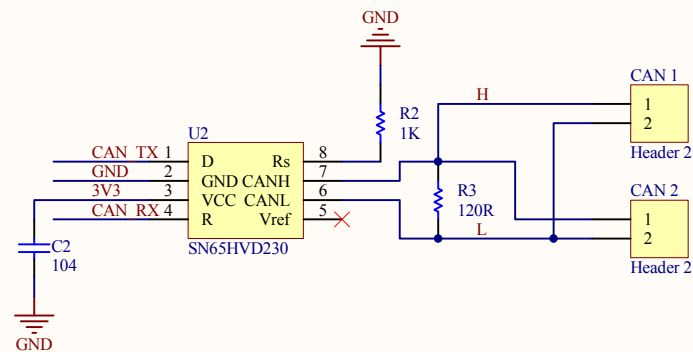


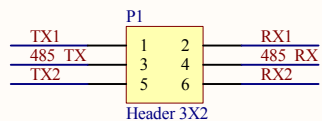
485 Receiving Circuit



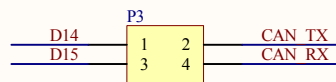
CAN Receiving Circuit



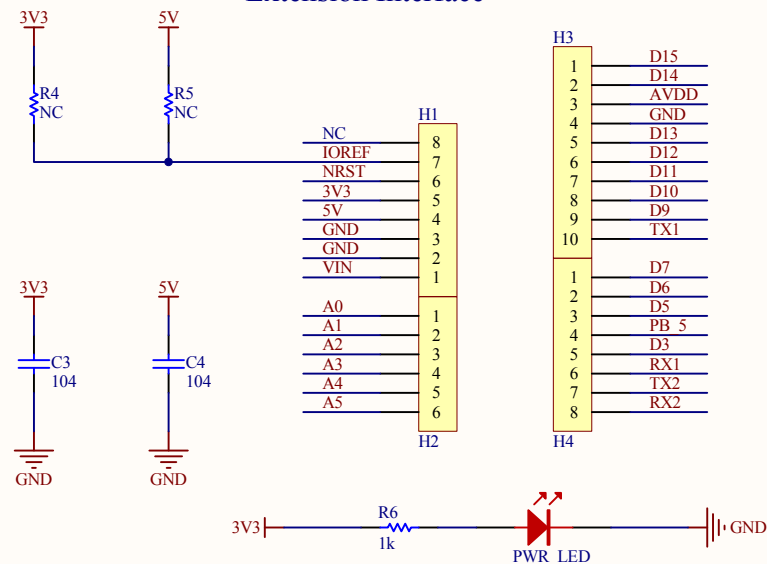
485 RXD/TXD JMP



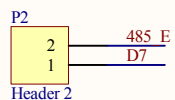
CAN JMP



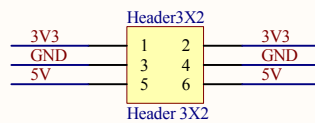
Extension Interface



485 Chip Selection



EXTENS POWER



Title RS485 CAN Shield		
Size A4	Number	Revision
Date: 2015/4/20	Sheet of	
File: E:\PCB\RS485 CAN Shield.SchDoc	Drawn By:	