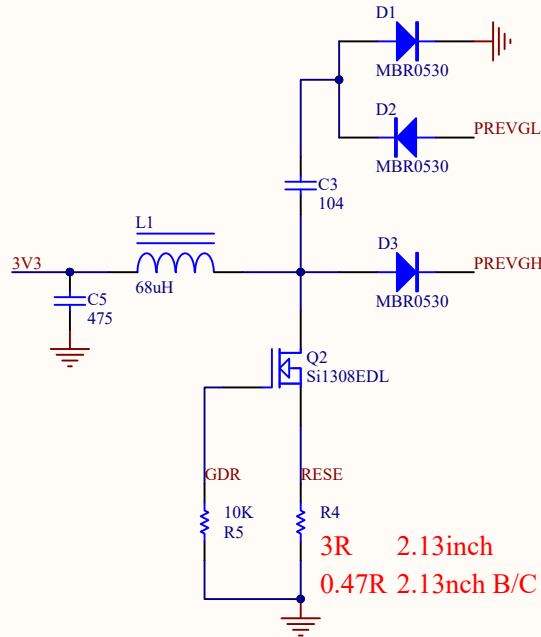




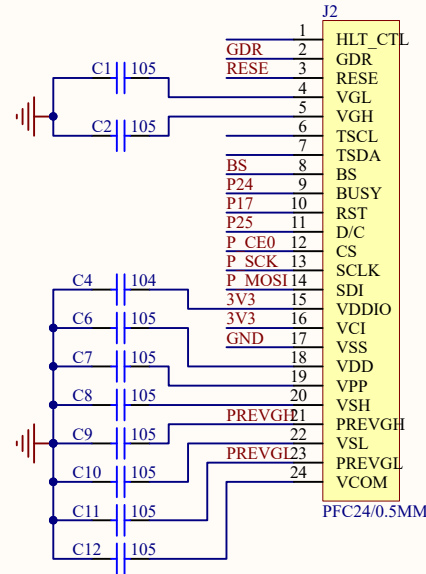
## 2.13inch e-Paper HAT



	VCC	GND
BS	3-line SPI	4-line SPI



3R 2.13inch  
0.47R 2.13inch B/C



BCM	wPi	P2	wPi	BCM
		3V3		
2	8	P_SDA	15	14
3	9	P_SCL	16	15
4	7	P4	1	18
		GND	4	23
17	0	P17	5	24
27	2	P27		
22	3	P22	6	25
		3V3	10	8
10	12	P_MOSI	11	7
9	13	P_MISO	26	12
11	14	P_SCK		
		GND	27	16
		ID_SD	28	20
5	21	P5	29	21
6	22	P6		
13	23	P13		
19	24	P19		
26	25	P26		
		GND		

