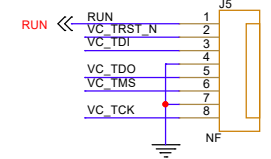
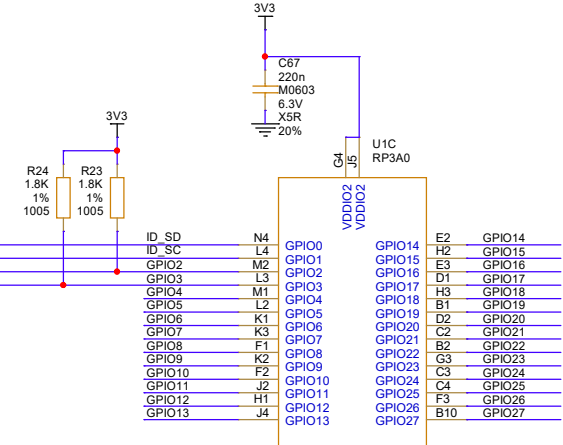
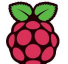


ID_SD and ID_SC PINS:

These pins are reserved for ID EEPROM. At boot time this I2C interface will be interrogated to look for an EEPROM that identifies the attached board and allows automatic setup of the GPIOs (and optionally, Linux drivers).

DO NOT USE these pins for anything other than attaching an I2C ID EEPROM. Leave unconnected if ID EEPROM not required.



 **Raspberry Pi** © Raspberry Pi 2017
www.raspberrypi.org

Title		Pi Zero 2 W		Drawn By		Simon Martin	
Size	A3	Ref	RPI-ZERO2W_R1	Rev	R1		
Date:	Friday, October 15, 2021			Sheet	1 of 1		