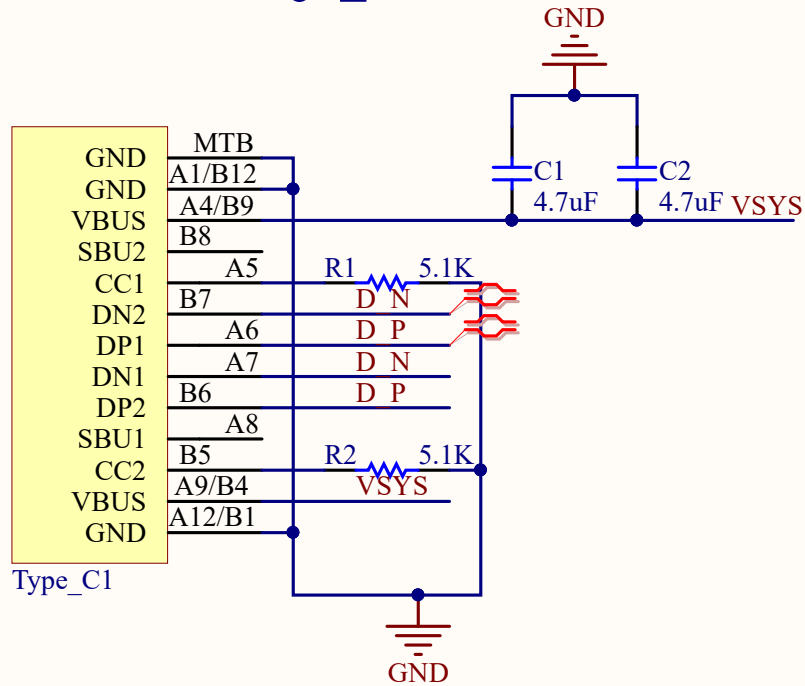
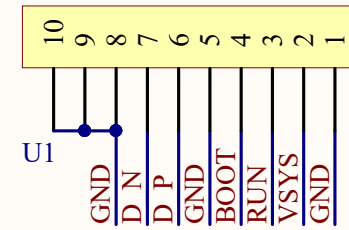


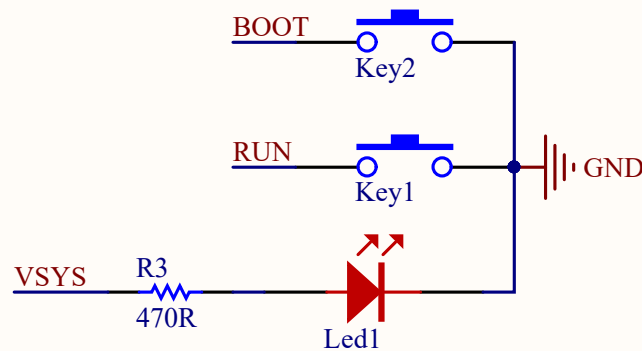
# Type-C



# FPC



# KEY&LED



RP2040-Tiny-Adapter

