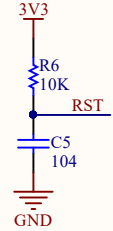
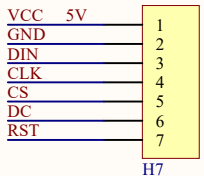
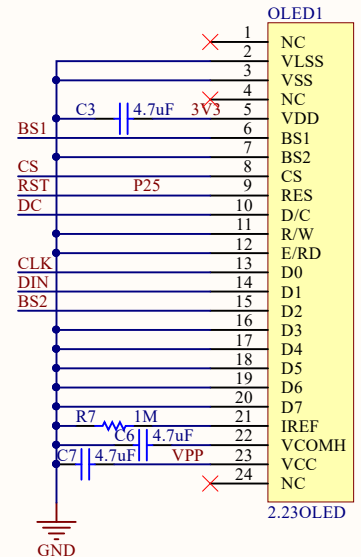
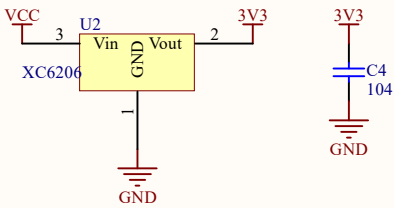
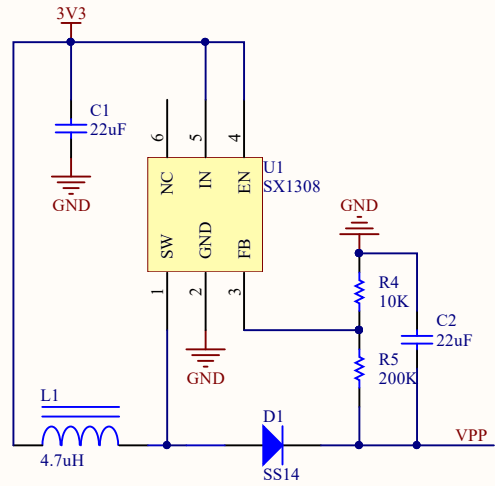
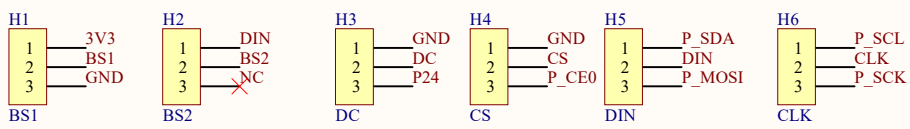


	BS1	BS2	DIN	CLK	CS	DC
4-wire SPI	GND	NC	MOSI	SCLK	CS	DC
I2C	3V3	DIN	SDA	SCL	GND	GND



BCM	wPi	P1	P1	wPi	BCM
2	8	P 3V3	1	2	5V
3	9	P SDA	3	4	5V
4	7	P SCL	5	6	GND
		P4	7	8	P TX
		GND	9	10	P RX
17	0	P17	11	12	P18
27	2	P27	13	14	GND
22	3	P22	15	16	P23
		P 3V3	17	18	P24
10	12	P MOSI	19	20	GND
9	13	P MISO	21	22	P25
11	14	P SCK	23	24	P CE0
		GND	25	26	P CE1
		ID SD	27	28	ID SC
5	21	P5	29	30	GND
6	22	P6	31	32	P12
13	23	P13	33	34	GND
19	24	P19	35	36	P16
26	25	P26	37	38	P20
		GND	39	40	P21



2.23inch OLED HAT