

A

B

A

B

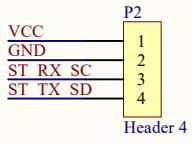
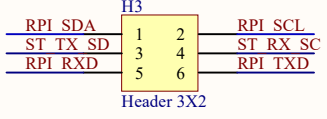
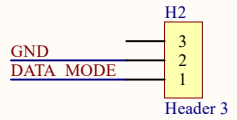
C

C

D

D

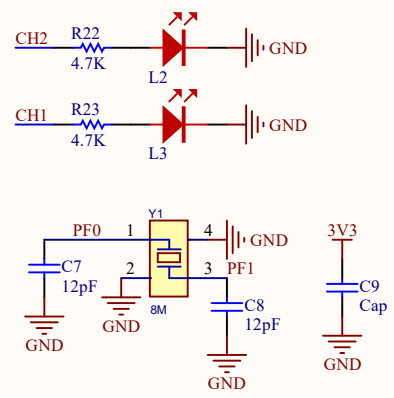
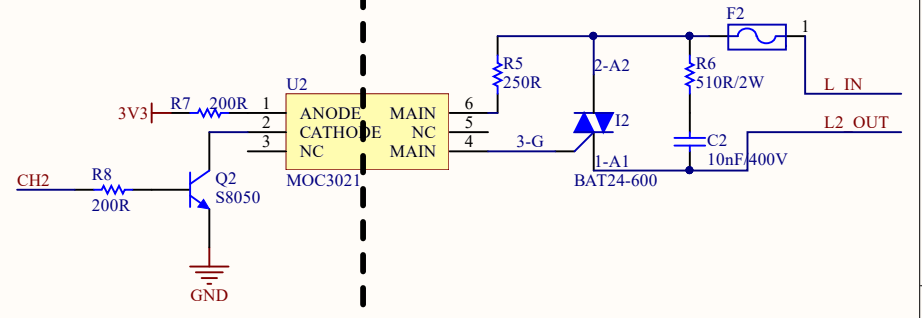
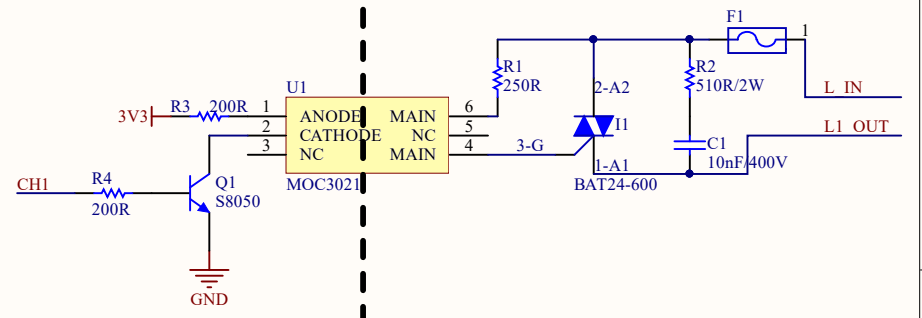
VCC RPI 5V



Interface

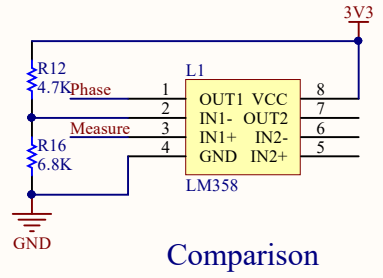
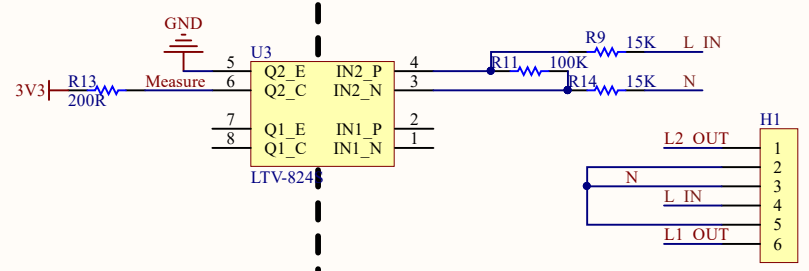
BCM	wPi	P1	RPI 5V	wPi	BCM
2	8	RPI SDA	3V3	15	14
3	9	RPI SCL	5V	16	15
4	7	GND	GND	1	18
17	0	GND	GND	4	23
27	2	GPI00	GPI01	5	24
22	3	GPI02	GND	6	25
10	12	GPI03	GPI04	10	8
9	13	3V3	GPI05	11	7
11	14	MOSI	GND	26	12
		MISO	GPI06	27	16
		SCLK	CE0	28	20
		GND	CE1	29	21
5	21	SDA0	SCL0		
6	22	GPI021	GND		
13	23	GPI022	GPI026		
19	24	GPI023	GND		
26	25	GPI024	GPI027		
		GPI025	GPI028		
		GND	GPI029		

Raspberry Interface

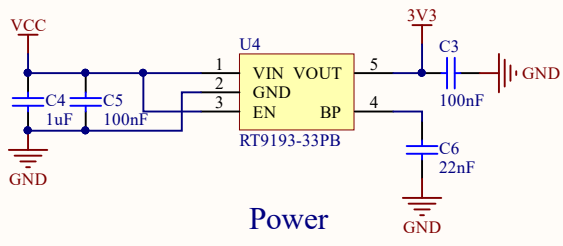


U5	STM32F030F4P6	Header 4
1	BOOT	1: 3V3
2	PF0-OSC_IN	2: GND
3	PF0-OSC_OUT	3: SWCLK
4	NRST	4: SWDIO
5	VDDA	
6	I2C ADD0	
7	I2C ADD1	
8	ST TX SD	
9	ST RX SC	
10	Phase	
11	PA4	
12	PA5	
13	CH2	
14	I2C ADD2	
15	GND	
16	3V3	
17	ST RX SC	
18	ST TX SD	
19	SWDIO	
20	SWCLK	
21	PA14	
22	PA13	
23	PA10	
24	PA9	
25	VDD	
26	VSS	
27	PA1	
28	PA2	
29	PA3	
30	PA6	

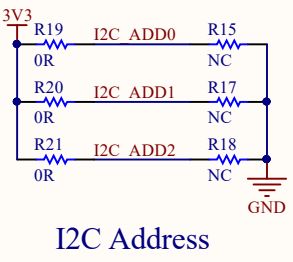
Controller



Comparison

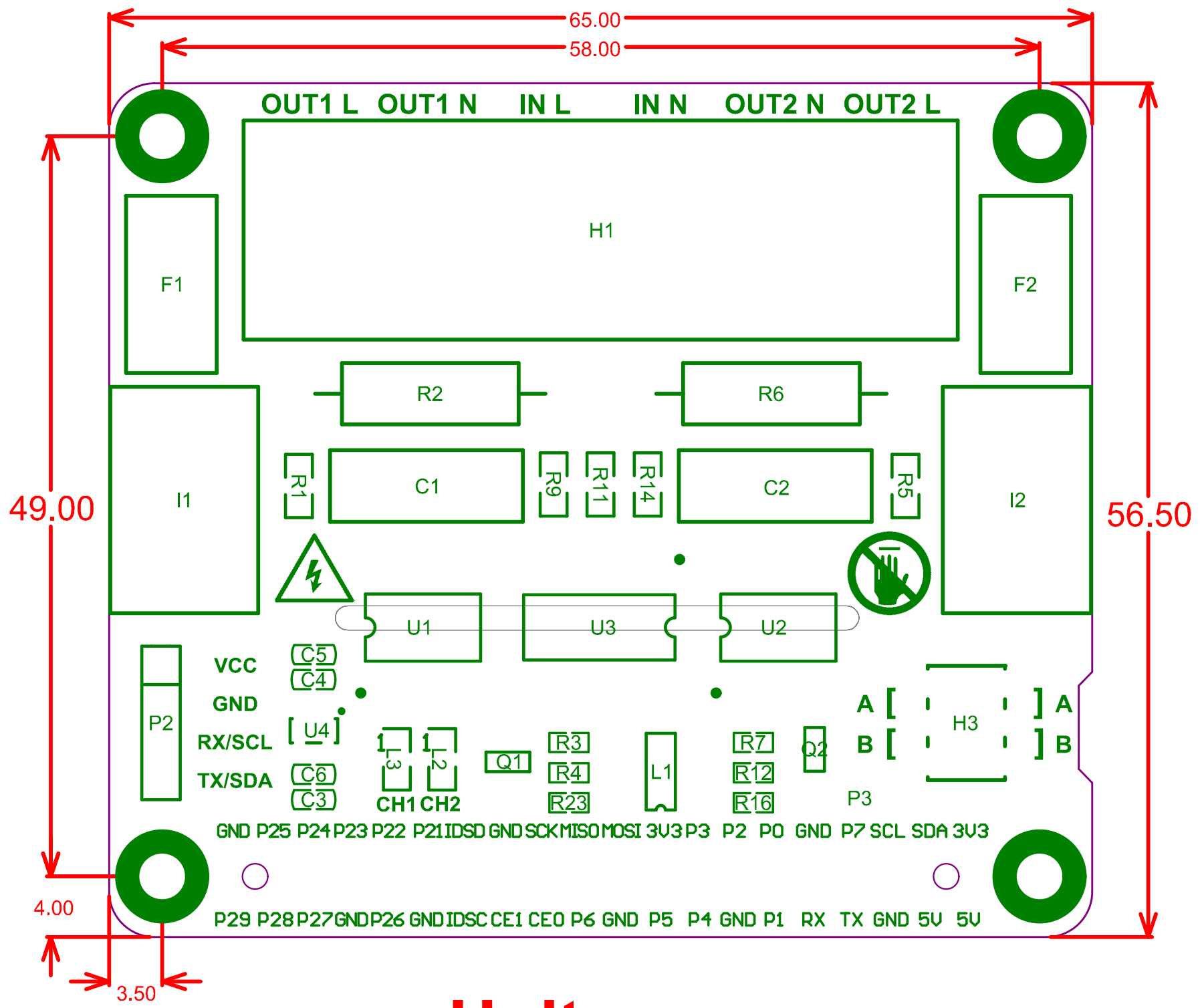


Power



I2C Address

W aveshare
2-CH TRIAC HAT
 High voltage danger
 Don't touch



Unit:mm