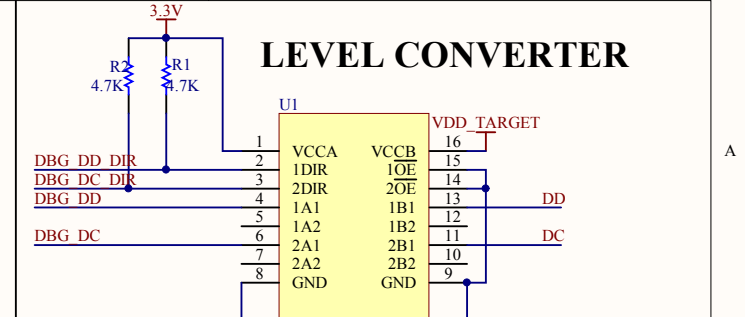
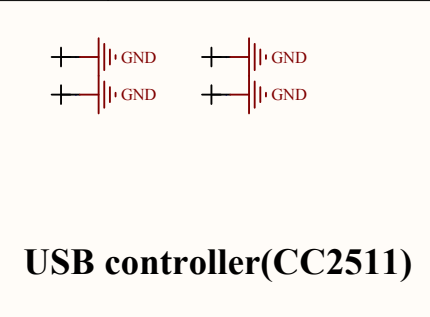
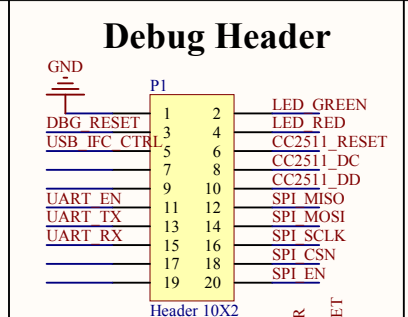
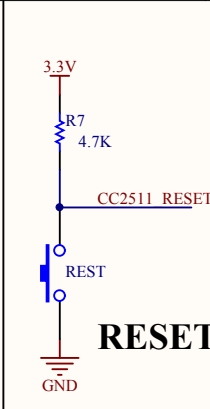
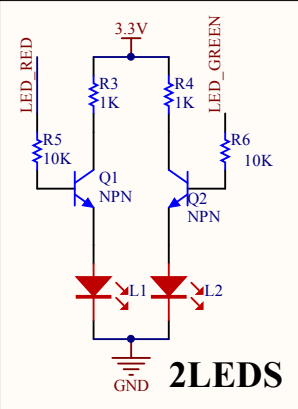
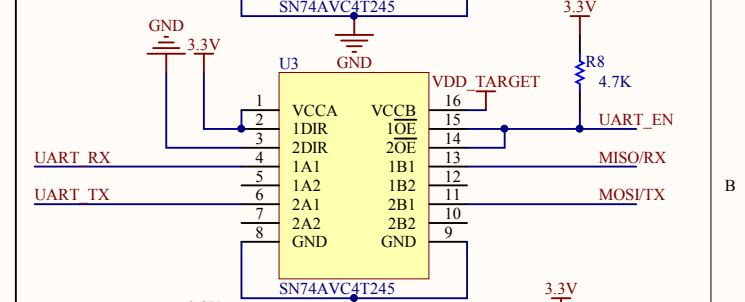
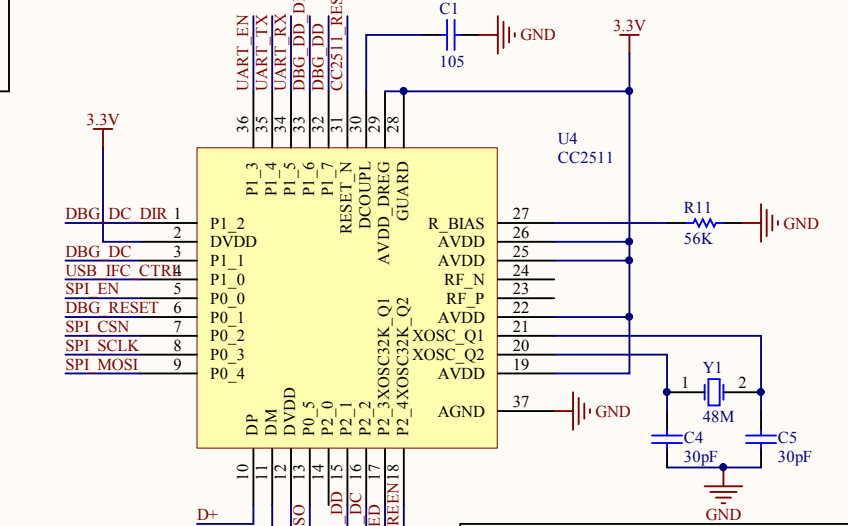
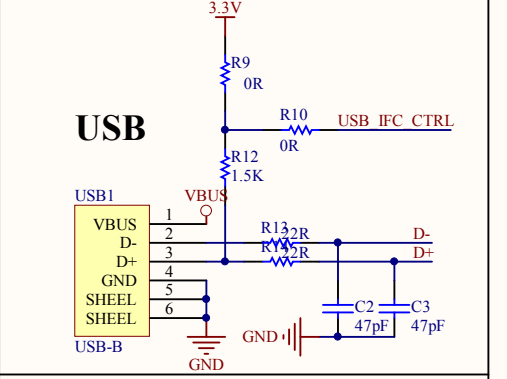


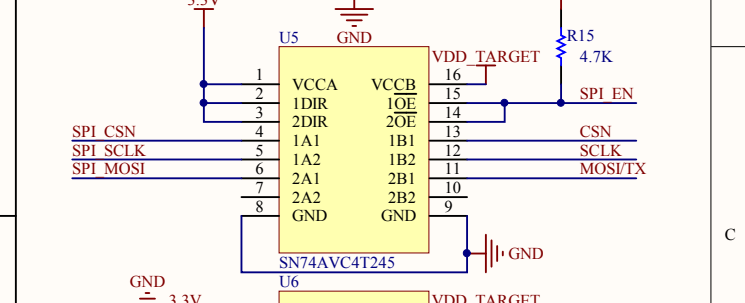
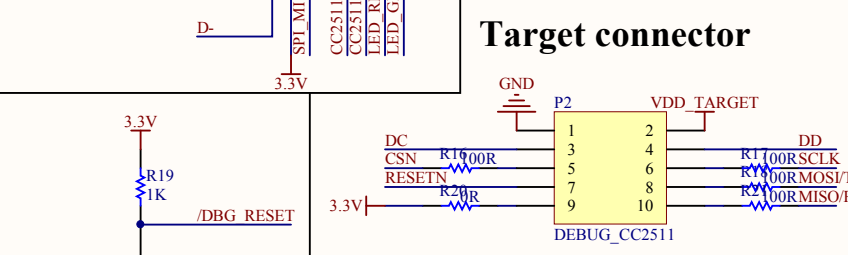
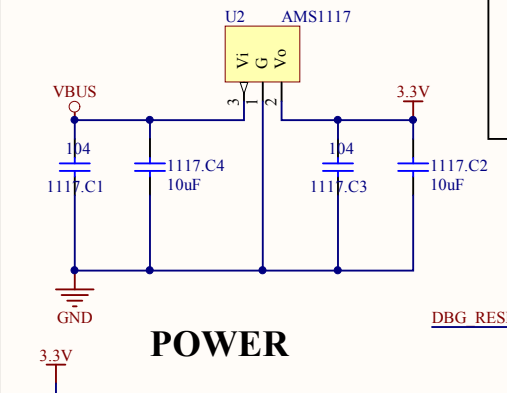
A



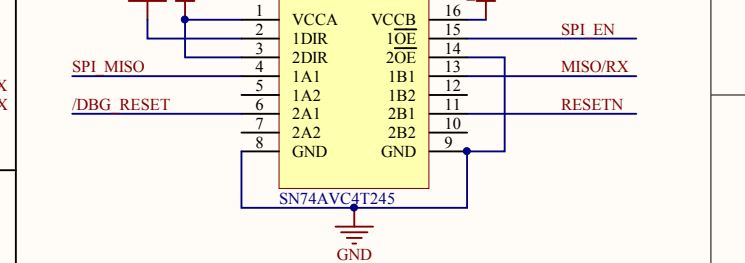
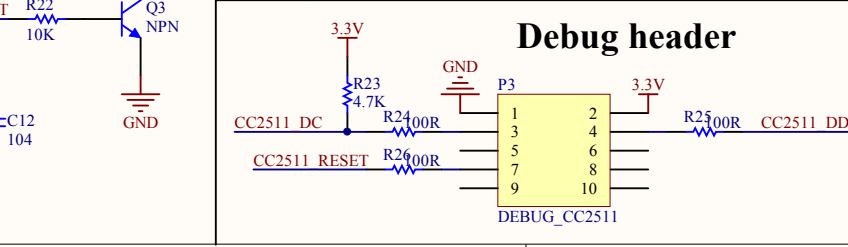
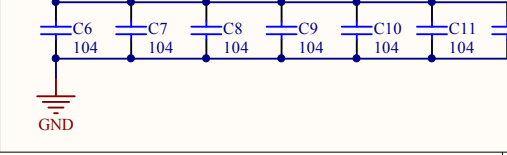
B



C



D



| | | |
|-------|-------------------------------|-----------|
| Title | | |
| Size | Number | Revision |
| A4 | | |
| Date: | 2012/9/25 | Sheet of |
| File: | E:\PCB\...\CC DEBUGGER_SchDoc | Drawn By: |