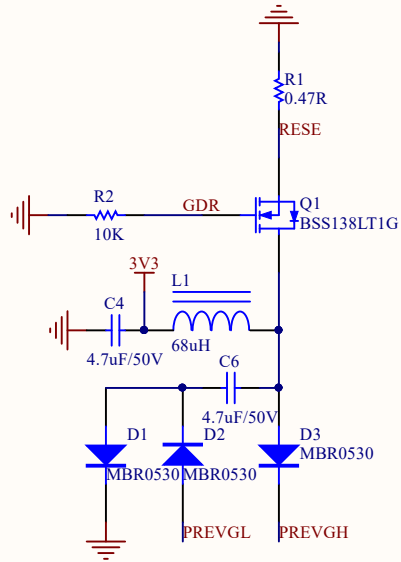
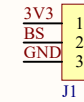


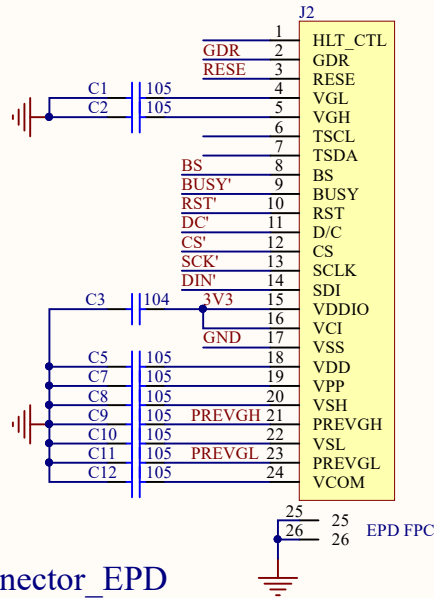


# Pico-ePaper-3.7

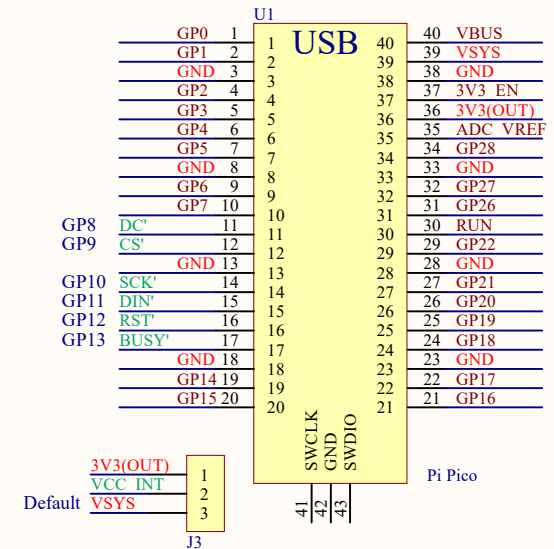
	VCC	GND
BS	3-line SPI	4-line SPI



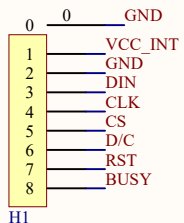
### Boost



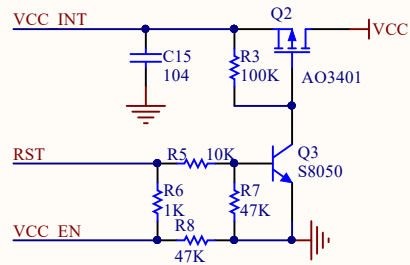
### Connector\_EPD



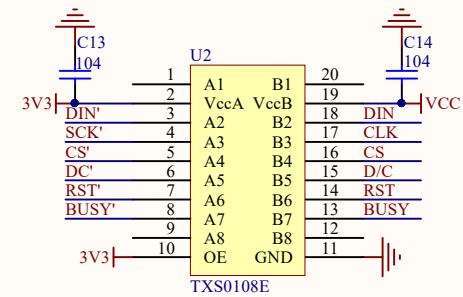
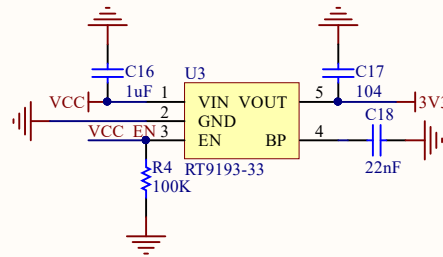
### Connector\_Pico



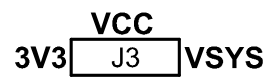
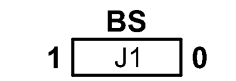
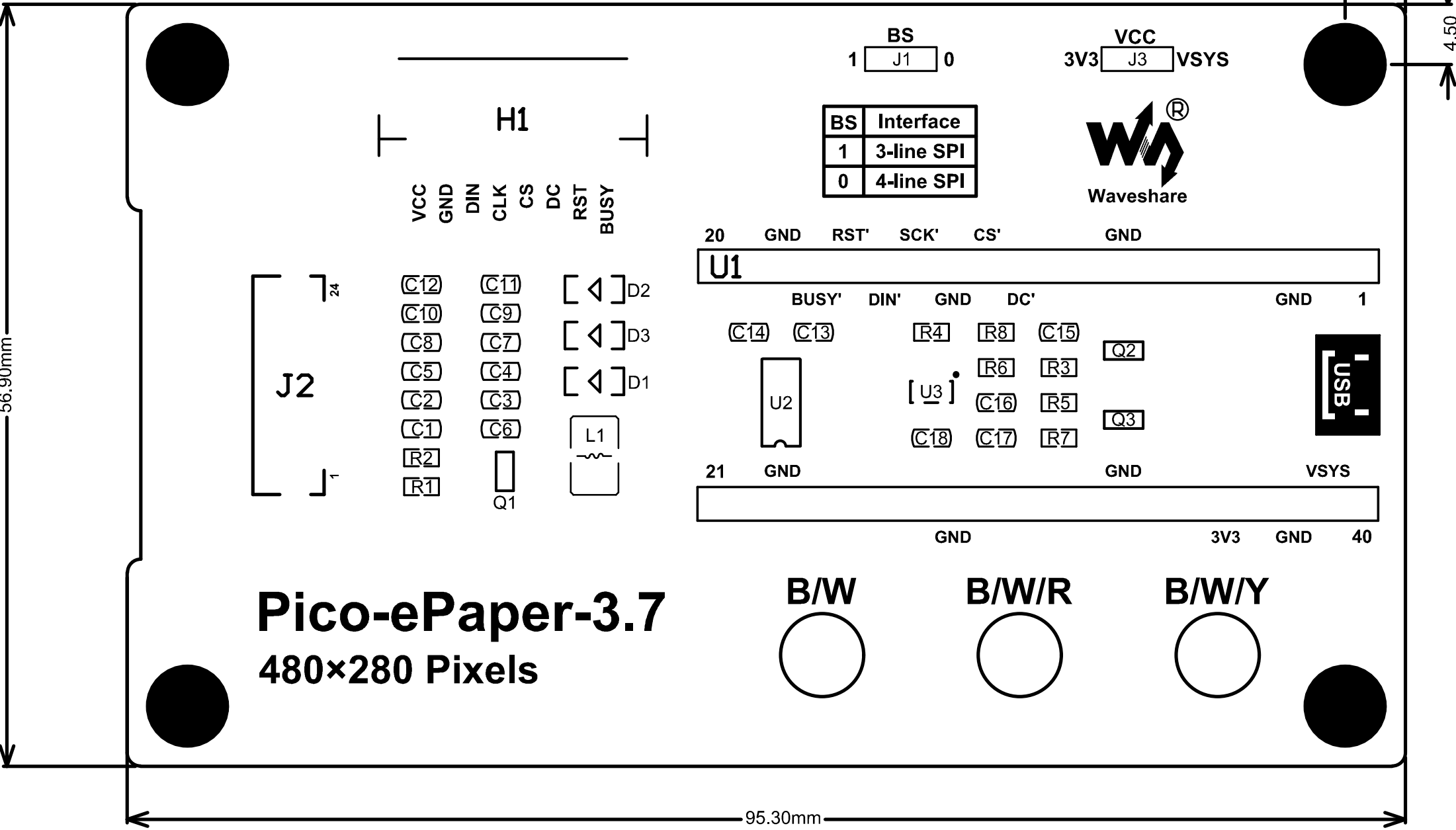
### Interface



### Power



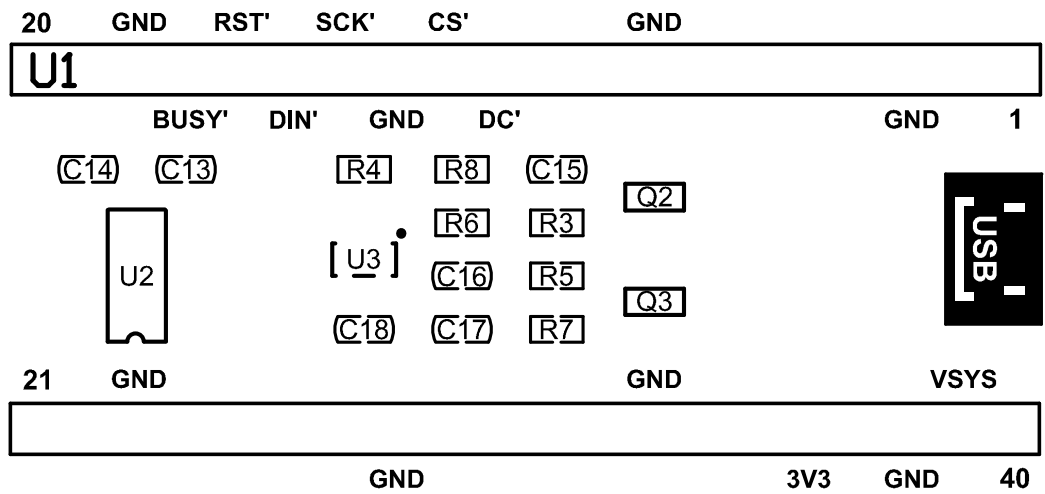
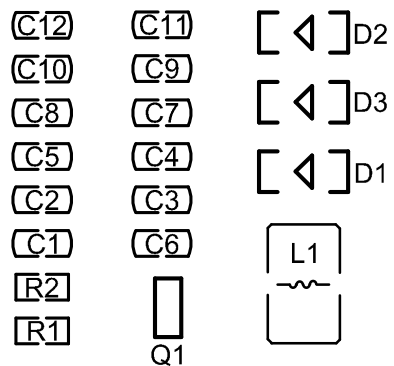
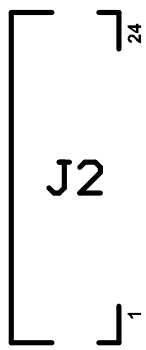
### Level\_Switch



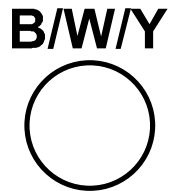
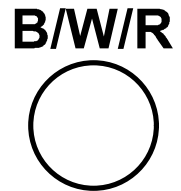
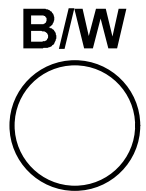
BS	Interface
1	3-line SPI
0	4-line SPI



VCC GND DIN CLK CS DC RST BUSY



**Pico-ePaper-3.7**  
480×280 Pixels



95.30mm

56.90mm

4.50

4.50