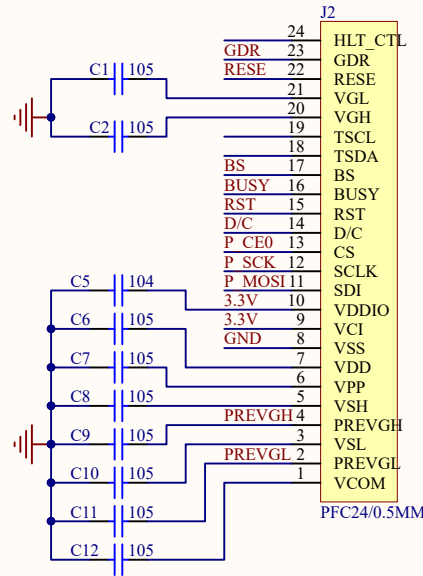
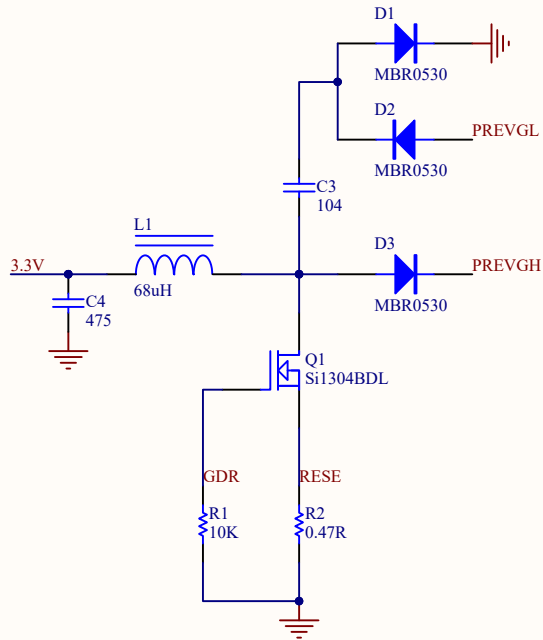


	VCC	GND
BS	3-line SPI	4-line SPI



BCM	wPi	P2	wPi	BCM	
		3.3V	1	2	5V
2	8	P_SDA	3	4	5V
3	9	P_SCL	5	6	GND
4	7	P4	7	8	P_TX
		GND	9	10	P_RX
17	0	RST	11	12	P18
27	2	P27	13	14	GND
22	3	P22	15	16	P23
		3.3V	17	18	GND
10	12	P_MOSI	19	20	GND
9	13	P_MISO	21	22	D/C
11	14	P_SCK	23	24	P_CE0
		GND	25	26	P_CE1
		ID_SD	27	28	ID_SC
5	21	P5	29	30	GND
6	22	P6	31	32	P12
13	23	P13	33	34	GND
19	24	P19	35	36	P16
26	25	P26	37	38	P20
		GND	39	40	P21

2.7inch e-Paper HAT