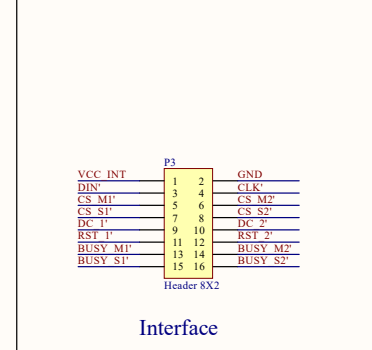
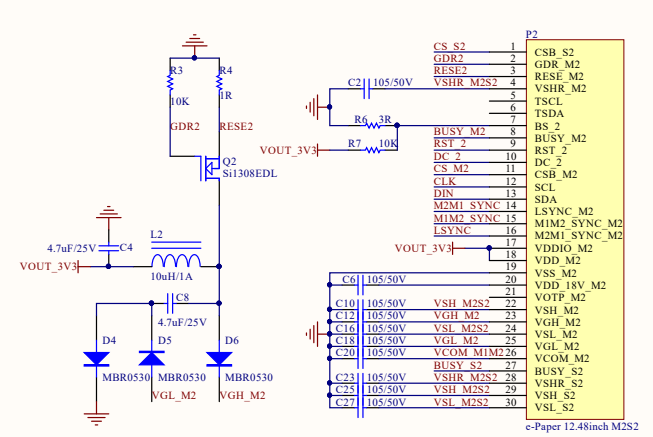
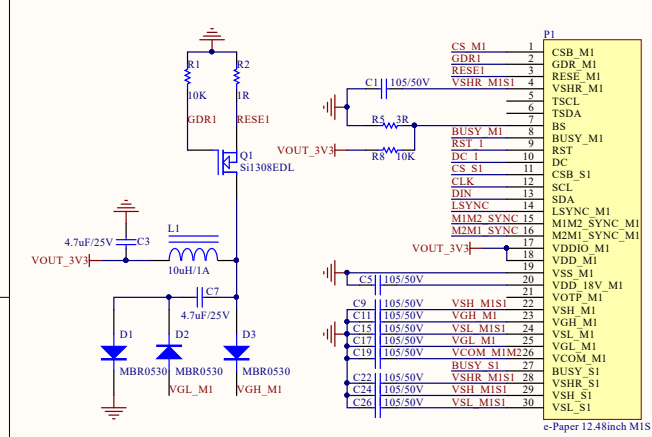
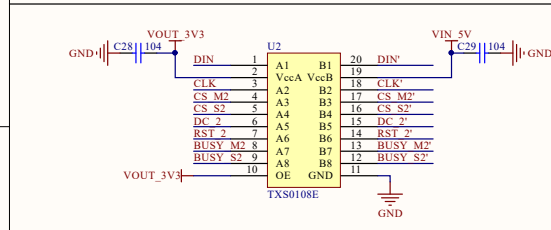




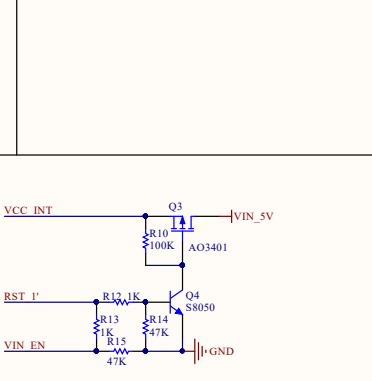
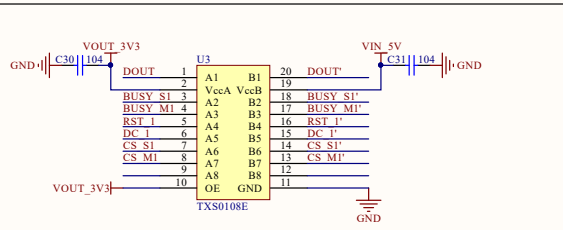
12.48inch e-Paper Module



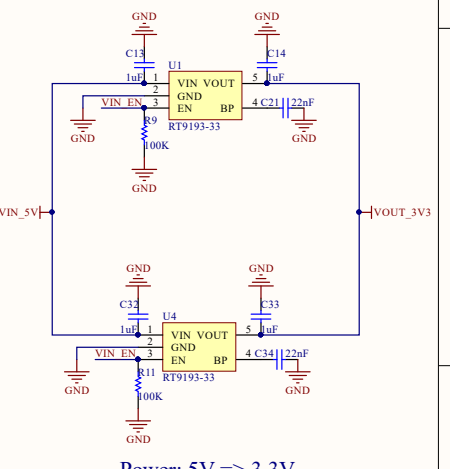
12.48inch e-Paper



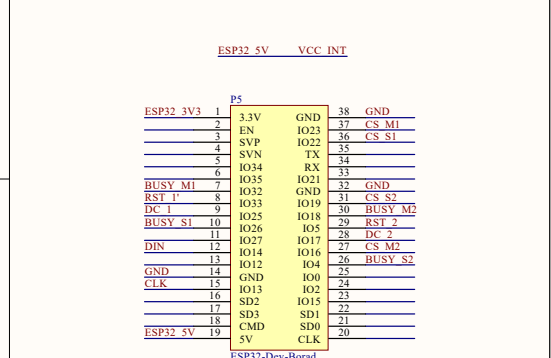
Level shifting: 5V => 3.3V



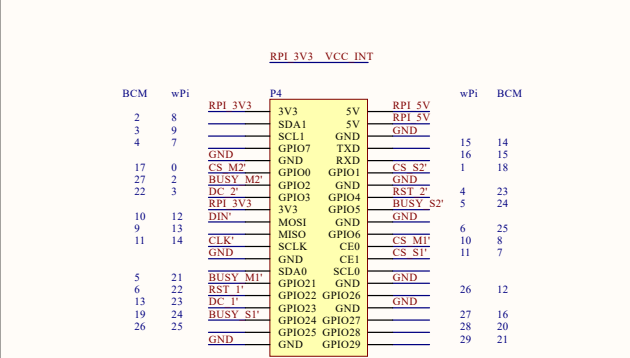
Power Control



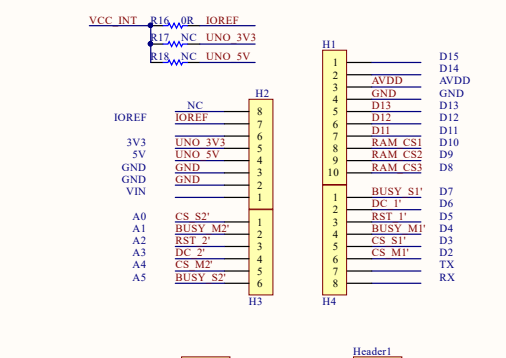
Power: 5V => 3.3V



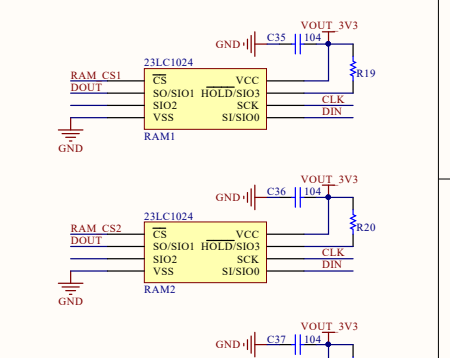
ESP32



Raspberry Pi



Arduino



Arduino SPI RAM