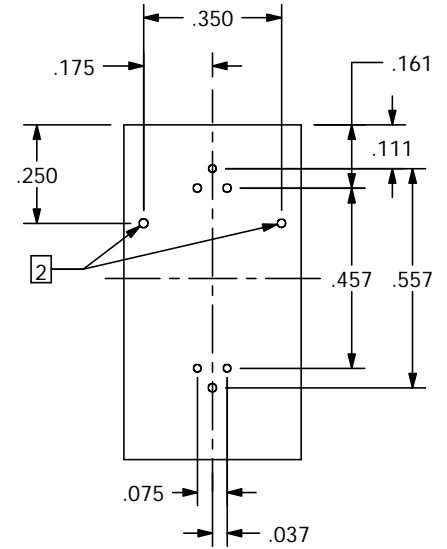
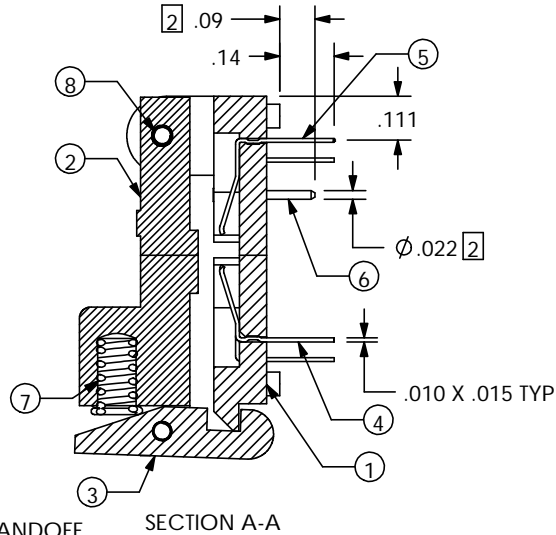
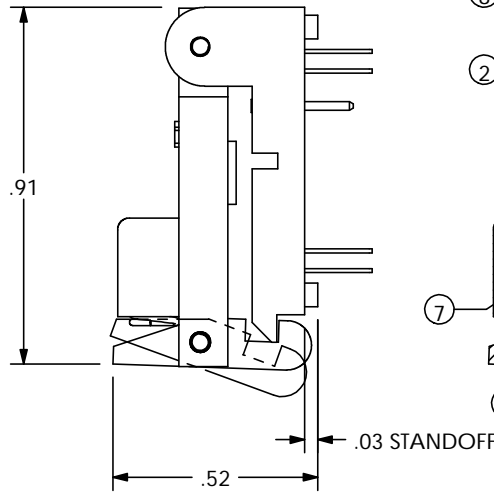
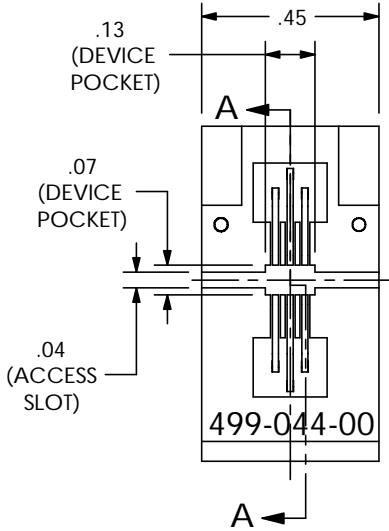



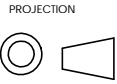
A	C	P	REV	DATE	BY	ECN #	REV	DATE	BY	ECN #	REV	DATE	BY	ECN #
X	-	-	A	4/16/01	PH	DR & REL.	B	5/14/01	PH	01-0150				



FOOTPRINT
FOOTPRINT SHOWN LOOKING DOWN THRU SOCKET

ITEM	PART NUMBER	QTY.	DESCRIPTION
8	099-060-10	2	SPIRAL PIN
7	005-017-00	1	SPRING
6	003-031-00	2	CONTACT PIN
5	002-068-12	2	CONTACT
4	002-053-02	4	CONTACT
3	001-338-00	1	LATCH
2	001-337-23	1	LID
1	001-336-60	1	BASE

[2] HOLES FOR MIL-MAX CONTACT PIN.
1. MATERIAL & FINISH:
BODY, LID, LATCH - PPS, AS MOLDED
CONTACTS - PFINODAL, Au PLATING

LEGEND		MATERIAL / FINISH	DRAWN	DATE	 A subsidiary of PCD inc. USA
\diamond	CRITICAL	[1]	PH	4/11/01	
0	TOTAL NO. OF \diamond USED	REFERENCE	EP	4/16/01	
		PROJECT / SERIES	PH	4/11/01	
SIZE	PROJECTION	499	ENG. SUPRV.	DATE	PART NAME
B		TOLERANCES	EP	4/16/01	SOCKET ASSEMBLY (SOT-23)
		X.X ± 0.1	ENG. ENGR.	DATE	6 LEAD
		X.XX ± 0.01	AG	4/18/01	PART NUMBER
		X.XXX ± 0.005			499-P44-10
		ANGLE ± 1°			REV.
		DO NOT SCALE			B
					SCALE 3:1
					UNITS: in [mm]
					CAD NUMBER
					499-P44-10.SLDDRW
					SHEET 1 OF 1