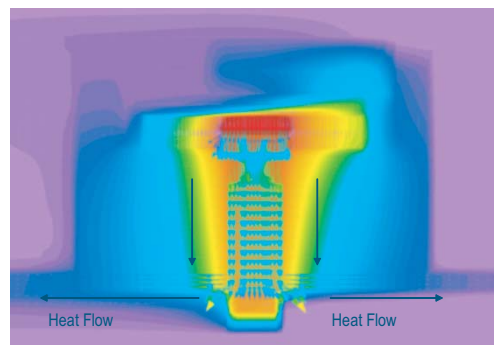
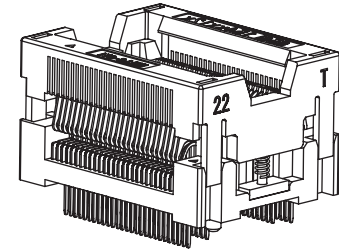
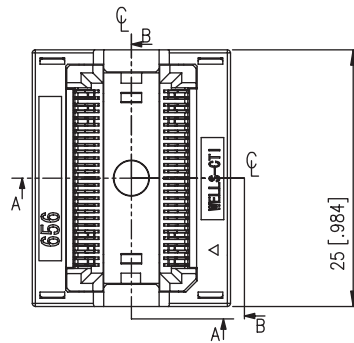
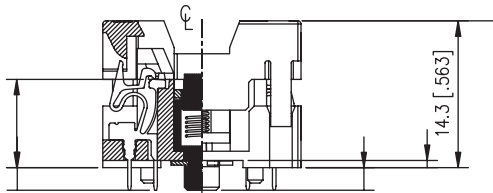


656T Series Thermally Enhanced XSOP Socket

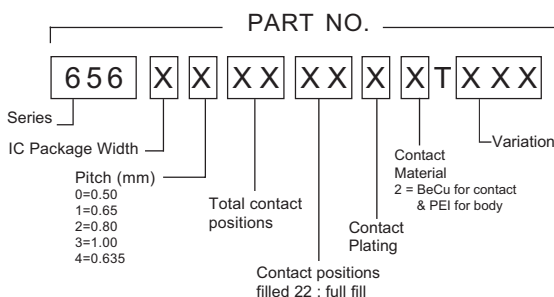
- Open top, Zero Insertion Force design for automatic loading
- Thermal contact for interfacing to thermal pad on package
- Thermal contact is timed to interface last and retract first during socket actuation
- Proven, highly reliable, pre-loaded I/O contacts
- Dual pinch I/O contacts



Thermal Resistance In Socket

Lead Count	Pitch e (mm)	Package Dimensions (mm)			Part Number	Socket Dimensions (mm)	
		Width (E1)	Lead Tip to Tip (E)	Length (D)		Length (A)	Width (B)
32	0.65	7.50	10.30	11.10 max	656L1543212T	25.00	19.30
36	0.65	7.50	10.30	12.79 max	656L1543612T	25.00	19.30
52	0.65	7.50	10.30	18.10 max.	656L1545212T	25.00	19.30
54	0.65	7.50	10.30	18.00 max.	656L1542212T	25.00	19.30

DESCRIPTION & ORDERING INFORMATION

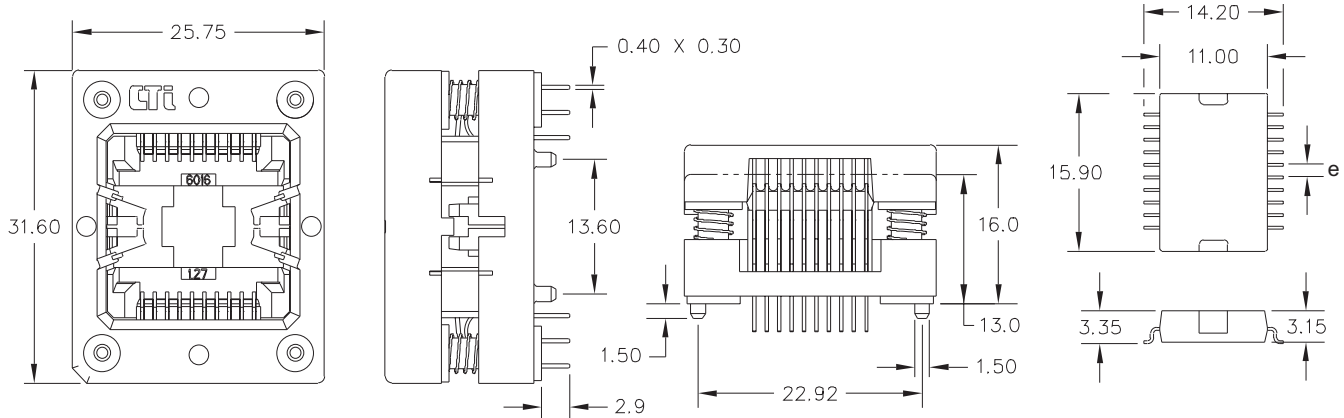
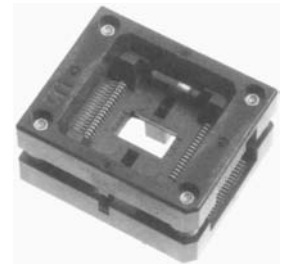


MATERIALS & SPECIFICATIONS

- Socket Body: PEI or Equivalent
- Contact: Beryllium Copper
- Contact Plating: Gold over Nickel
- Contact Normal Force: 40 grams
- Contact Resistance: 50 mΩ max.
- Dielectric: 300V AC for 1 minute
- Temperature Rating: 150°C
- Insulation Resistance: 5,000 MΩ @ 500V DC
- Durability: 10,000 cycles min.
- Thermal Pin Power Dissipation: 2W min.

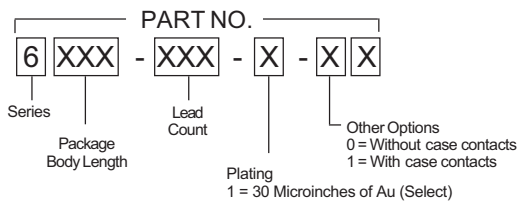
6000 Series Top Load PSOP Sockets (Single Beam Contact)

- Open top, Zero Insertion Force for automatic loading
- Riveted construction
- High current 2 Amp contacts
- Compact design for maximum board density
- High normal force, scrubbing contacts



Lead Count	Pitch e (mm)	Package Dimensions (mm)			Part Number	Socket Dimensions (mm)		
		Width (E1)	Lead Tip to Tip (E)	Length(D)		Length (A)	Width (B)	Height (C)
20	1.27	11.00	14.20	15.90	6016-020-X-XX	31.60	25.75	16.00
30	0.80	11.00	14.20	15.90	6016-030-X-XX	31.60	25.75	16.00
36	0.65	11.00	14.20	15.90	6016-036-X-XX	31.60	25.75	16.00

DESCRIPTION & ORDERING INFORMATION

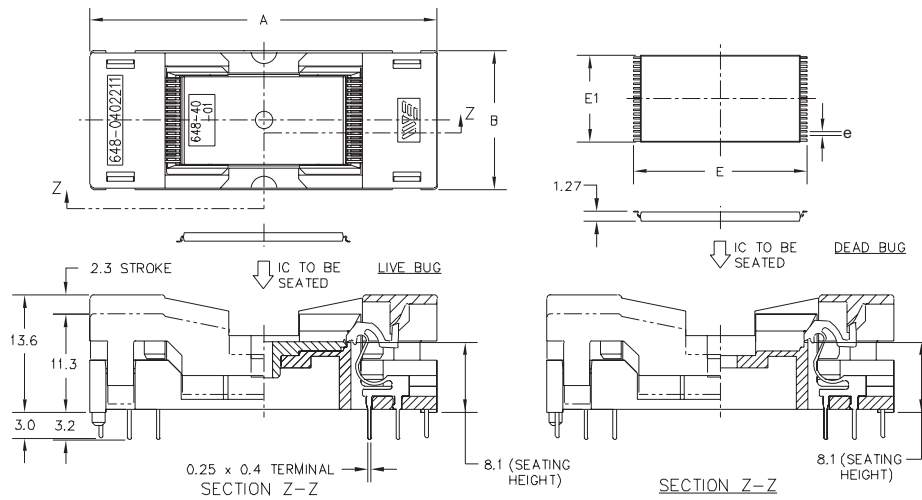
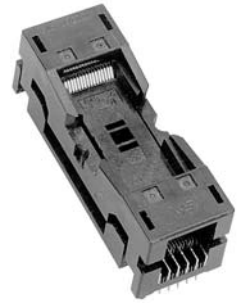


MATERIALS & SPECIFICATIONS

- Socket Body: PEI or Equivalent
- Contact: Beryllium Copper Alloy
- Contact Plating: Gold over Nickel
- Contact Normal Force: 40 grams
- Contact Resistance: 30 mΩ
- Dielectric: 1,000V AC (RMS) for 1 minute
- Temperature Rating: -55°C to 150°C
- Current Rating: 2 amps per contact
- Insulation Resistance: 5,000 MΩ @ 200V DC
- Durability: 5,000 cycles min.

648 Series TSOP-I Socket

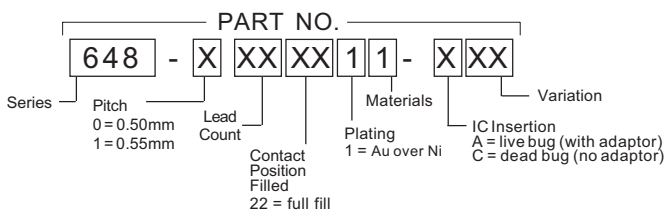
- Available dead bug or live bug with adaptor
- Open top, Zero Insertion Force design for automatic loading
- Highly reliable, pre-loaded contacts



Lead Count	Pitch e (mm)	Package Dimensions (mm)		Part Number	Adaptor	Socket Dimensions (mm)	
		Width (E1)	Tip to Tip (E)			Length (A)	Width (B)
28	0.55	8.00	13.40	648-1282211-A01	648-28-01	33.40	14.00
32	0.50	8.00	20.00	648-0322211-A01	648-32-01	40.00	14.00
32	0.50	8.00	14.00	648A0322211-A01	648A32-01	34.00	14.00
32	0.50	8.00	13.40	* 648B0322211	n/a	33.40	14.00
40	0.50	10.00	20.00	648-0402211-A01	648-40-01	40.00	16.00
40	0.50	10.00	14.00	648A0402211-A01	648A40-01	34.00	16.00
48	0.50	12.00	20.00	648-0482211-A01	648-48-01	40.00	18.00
48	0.50	12.00	20.00	* 648-0482211SA01	n/a	40.00	18.00
56	0.50	14.00	20.00	648-0562211-A01	648-56-01	40.00	20.00

* one-component base construction

DESCRIPTION & ORDERING INFORMATION

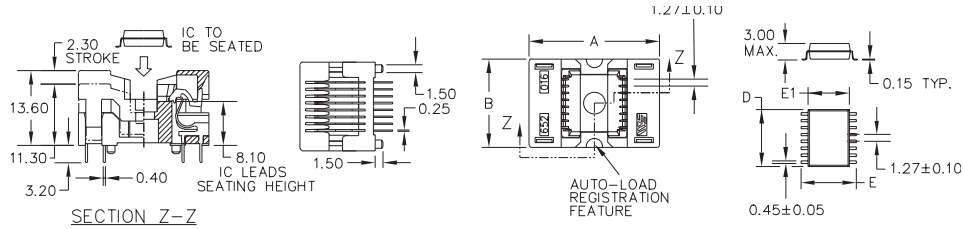


MATERIALS & SPECIFICATIONS

- Socket Body: PES, PEI, LCP or Equivalent
- Contact: Beryllium Copper Alloy
- Contact Plating: Gold over Nickel
- Contact Normal Force: 30 grams
- Contact Resistance: 50 mΩ
- Dielectric: 600V AC (RMS) for 1 min.
- Temperature Rating: 150°C
- Insulation Resistance: 5,000 MΩ @ 500V DC
- Durability: 10,000 cycles min.

652 Series SOP ZIF Socket

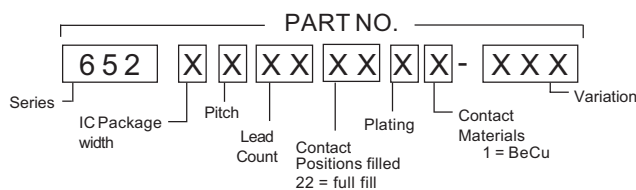
- Open top, Zero Insertion Force design for automatic loading
- Compact size for high board density
- Highly reliable, pre-loaded contacts



Lead Count	Pitch e (mm)	Package Dimensions (mm)			Part Number	Socket Dimensions (mm)	
		Width (E1)	Lead Tip to Tip (E)	Length (D)		Length (A)	Width (B)
8	1.27	4.40	6.40	5.40	652B008221X	20.75	12.37
8	1.27	5.00	6.80	5.40	652B008221X-001	20.75	12.37
8	1.27	3.90	6.00	5.40	652B008221X-002	20.75	12.37
8	1.27	4.40	6.40	5.35	652B008221X-003	20.75	12.37
8	1.27	5.23	8.00	5.23	* 652C0082211W	17.20	12.80
14	1.27	4.40	6.40	10.48	652B014221X	20.75	16.18
14	1.27	5.00	6.80	10.48	652B014221X-001	20.75	16.18
14	1.27	3.90	6.00	10.48	652B014221X-002	20.75	16.18
16	1.27	4.40	6.40	10.48	652B016221X	20.75	17.45
16	1.27	5.00	6.80	10.48	652B016221X-001	20.75	17.45
16	1.27	3.90	6.00	10.48	652B016221X-002	20.75	17.45
16	1.27	3.90	6.00	10.48	652B016221XE002	24.00	17.45
16	1.27	7.60	10.20	10.50	652-016221X-001	24.00	16.32
16	1.27	7.60	10.20	10.50	652-016221XE001	24.30	16.32
16	1.27	7.50	10.40	10.50	652D016221X-202	24.30	16.32
16	1.27	7.50	10.30	10.45	652D016221XE202	24.30	16.32
16	1.27	7.55	10.30	10.50	652D020161X-003	24.30	18.86
18	1.27	7.55	10.40	12.00	652D020181X-001	24.30	18.86
18	1.27	8.80	11.83	12.30	652E018221X	25.90	18.05
20	1.27	7.55	10.40	13.11	652D020221X	24.30	18.86
20	1.27	7.55	10.40	13.11	652D020221X-001	24.30	18.86
20	1.27	7.50	10.30	12.80	652D020221X-002	24.30	18.86
20	1.27	7.50	10.30	12.80	652D020221X-202	24.30	18.86
24	1.27	7.60	10.20	15.60	652-024221X	24.00	21.40
24	1.27	7.60	10.20	15.60	652-024221XE	24.00	21.40
24	1.27	7.60	10.20	15.60	652-024221X-001	24.00	21.40
24	1.27	7.60	10.20	15.60	652-024221XE001	24.00	21.40
24	1.27	7.55	10.47	15.65	652D024221X	24.30	21.40
24	1.27	7.55	10.31	15.65	652D024221X-002	24.30	21.40
28	1.27	7.55	10.47	18.19	652D028221X	24.30	23.94
28	1.27	7.55	10.30	17.95	652D028221X-001	24.30	23.94
28	1.27	7.50	10.30	17.90	652D028221X-002	24.30	23.94
28	1.27	7.50	10.30	17.90	652D028221X-202	24.30	23.94
28	1.27	7.50	10.30	17.90	652D028221XE202	24.30	23.94
28	1.27	8.40	11.83	18.65	652E028221X	25.90	24.40
28	1.27	8.40	11.80	18.00	652E028221X-001	25.90	24.40
28	1.27	8.40	11.83	18.65	652E028221X-002	25.90	24.40
32	1.27	7.55	10.57	20.73	652D032221X	24.30	26.48
32	1.27	7.55	10.57	20.73	652D032221X-001	24.30	26.48
32	1.27	7.51	10.47	20.73	* 652D0322211W	18.50	26.30
32	1.27	11.00	14.04	20.85	652F032221X	28.00	26.50
40	1.27	10.70	14.04	26.15	652F040221X	28.00	31.58
40	1.27	10.70	14.04	26.15	652F040221X-001	28.00	31.58
44	1.27	12.60	16.04	28.50	652G044221X	30.00	34.30
44	1.27	12.60	16.04	28.50	652G044221X-001	30.00	34.30
44	1.27	12.60	16.04	28.50	652G044221X-002	30.00	34.30

* Dual Contact Points

DESCRIPTION & ORDERING INFORMATION

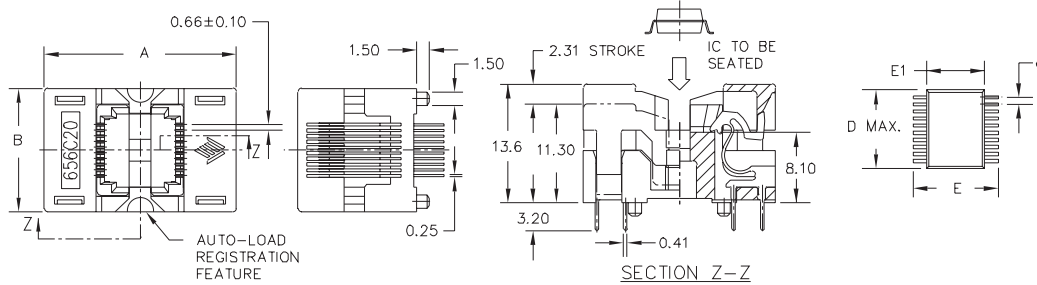


MATERIALS & SPECIFICATIONS

- Socket Body: PES, PEI, LCP or Equivalent
- Contact: Beryllium Copper or Titanium Copper Alloys
- Contact Plating: Gold over Nickel
- Contact Normal Force: 30 grams
- Contact Resistance: 50 mΩ
- Dielectric: 600V AC for 1 minute
- Temperature Rating: 150°C
- Insulation Resistance: 5,000 MΩ @ 500V DC
- Durability: 10,000 cycles min.

656 Series SSOP ZIF Socket

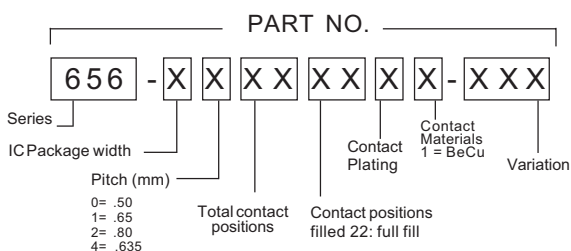
- Open top, Zero Insertion Force design for automatic loading
- Compact size for high board density
- Highly reliable, pre-loaded contacts
- Accommodate pitch sizes 0.50, 0.635, 0.65, and 0.80mm



Lead Count	Pitch e (mm)	Package Dimensions (mm)			Part Number	Socket Dimensions (mm)	
		Width (E1)	Lead Tip to Tip (E)	Length (D)		Length (A)	Width (B)
8	0.65	3.00	4.90	3.00	656-1082211	18.80	9.00
10	0.50	3.00	4.88	2.97	656-0102211	24.60	7.75
16	0.65	5.30	7.80	6.20	656C116221X	22.00	12.90
16	0.65	5.30	7.80	6.20	656C116221X-001	22.00	12.90
20	0.65	5.30	7.80	7.20	656C120221X	22.00	14.20
20	0.65	5.30	7.80	7.20	656C120221X-001	22.00	14.20
20(depop)	0.635	3.90	6.00	8.65	656-424201X	20.10	14.55
20(depop)	0.635	3.90	6.00	8.65	656-424201X-001	20.10	14.55
24	0.65	5.30	7.80	8.20	656C124221X	22.00	15.50
24	0.65	5.30	7.80	8.20	656C124221X-001	22.00	15.50
24	0.65	5.60	7.60	7.80	656C1242211-009	22.00	15.50
24	0.635	3.90	6.00	8.65	656-424221X	20.10	14.55
24	0.635	3.90	6.00	8.65	656-424221X-001	20.10	14.55
28	0.65	6.10	8.10	9.70	656S132281X	22.30	18.10
30	0.50	4.40	6.40	7.80	* 656J0302212	14.70	15.20
32	0.65	6.10	8.10	11.00	656S132221X	22.30	18.10
32	0.80	5.30	7.80	14.50	656C232221X	22.00	20.35
32(depop)	0.65	7.50	10.30	11.10 max	* 656L1543212	19.30	25.00
36(depop)	0.65	7.50	10.30	12.79 max	* 656L1543612	19.30	25.00
36(depop)	0.80	7.52	10.31	15.84	656D244361X-010	24.40	24.00
38	0.50	4.40	6.40	9.70	* 656J0382212	14.70	15.20
44	0.80	7.50	10.35	17.90	656D244221X	24.40	24.00
44	0.80	7.50	10.35	17.90	656D244221X-001	24.40	24.00
48(depop)	0.50	6.20	8.10	12.70	* 656K0564811	28.20	20.00
52(depop)	0.65	7.50	10.30	18.10 max	* 656L1545212	19.30	25.00
54	0.65	7.50	10.30	18.00 max	* 656L1542212	19.30	25.00
56	0.50	6.20	8.10	14.00	* 656K0562211	28.20	20.00
56	0.80	13.30	16.00	23.85	* 656-2562211	24.10	28.00
60	0.50	7.46	10.50	15.46	* 656M0602212	19.50	22.50

* Dual Contact Points

DESCRIPTION & ORDERING INFORMATION

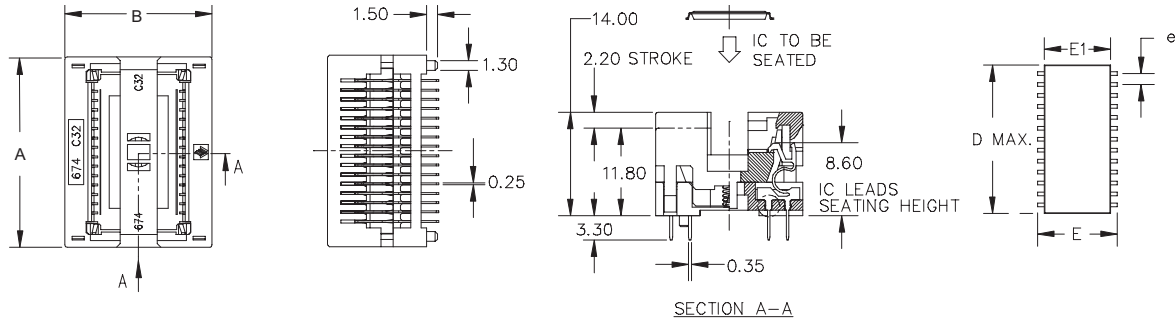


MATERIALS & SPECIFICATIONS

- Socket Body: PES, PEI, LCP or Equivalent
- Contact: Beryllium Copper or Titanium Copper Alloys
- Contact Plating: Gold over Nickel
- Contact Normal Force: 35 grams
- Contact Resistance: 50 mΩ
- Dielectric: 600V AC for 1 minute
- Temperature Rating: 150°C
- Insulation Resistance: 5,000 MΩ @ 500V DC
- Durability: 10,000 cycles min.

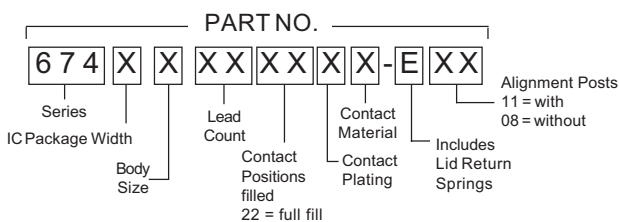
674 Series TSOP-II Socket

- Open top, Zero Insertion Force for automatic loading
- Highly reliable, pre-loaded contacts
- Live bug insertion
- Single point contact on package leads
- For 0.80mm and 1.27mm pitch packages



Lead Count	Pitch e (mm)	Package Dimensions (mm)			Part Number	Socket Dimensions (mm)	
		Width (E1)	Lead Tip to Tip (E)	Length (D)		Length (A)	Width (B)
20	1.27	7.62	9.22	17.30	674A0262015-E08	22.00	17.30
20	1.27	7.62	9.22	17.30	674A0262015-E09	22.00	17.30
24	1.27	7.62	9.22	17.30	674A0262415-E08	22.00	17.30
24	1.27	7.62	9.22	17.30	674A0262415-E09	22.00	17.30
26	1.27	7.62	9.22	17.30	674A0262215-E08	22.00	17.30
26	1.27	7.62	9.22	17.30	674A0262215-E09	22.00	17.30
28	1.27	10.20	11.80	18.40	674C0282215-E08	23.20	19.90
28	1.27	10.20	11.80	18.40	674C0282215-E11	23.20	19.90
32	1.27	10.20	11.76	20.94	674C0322215-E08	25.70	19.90
32	1.27	10.20	11.76	20.94	674C0322215-E11	25.70	19.90
40	0.80	10.20	11.76	18.40	674C1444015-E08	23.20	19.90
40	0.80	10.20	11.76	18.40	674C1444015-E11	23.20	19.90
44	0.80	7.62	9.22	18.41	674A1442215-E08	23.20	17.30
44	0.80	7.62	9.22	18.41	674A1442215-E11	23.20	17.30
44	0.80	10.16	11.76	18.40	674C1442215-E11	23.20	19.90
44	0.80	10.20	11.80	20.80	674C1504415-E08	25.60	19.90
44	0.80	10.20	11.80	20.80	674C1504415-E11	25.60	19.90
50	0.80	10.20	11.80	20.80	674C1502215-E08	25.60	19.90
50	0.80	10.20	11.80	20.80	674C1502215-E11	25.60	19.90
54	0.80	10.16	11.76	22.40	674C1542215-E08	27.20	19.90
54	0.80	10.16	11.76	22.40	674C1542215-E11	27.20	19.90

DESCRIPTION & ORDERING INFORMATION

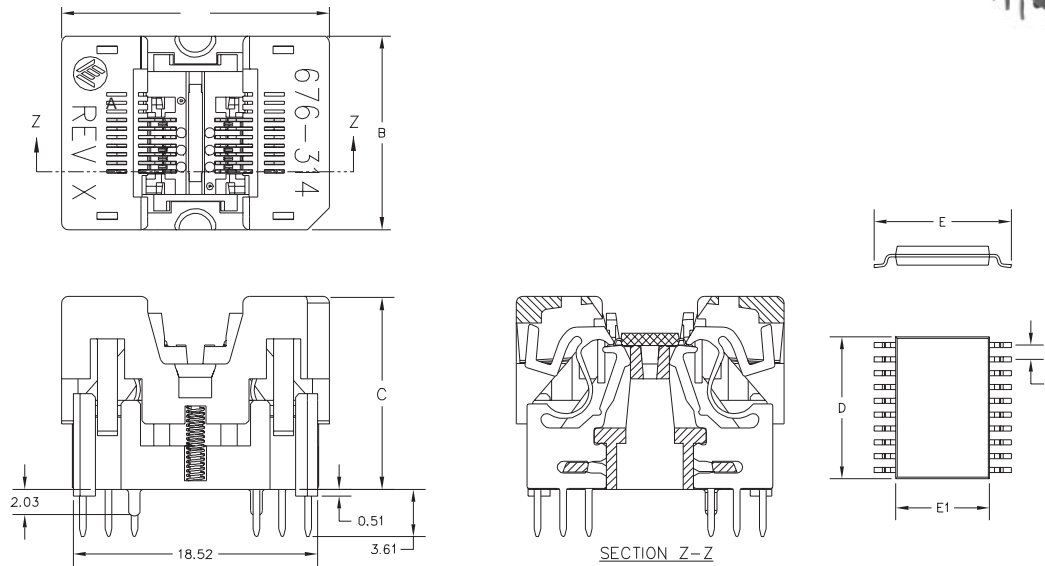
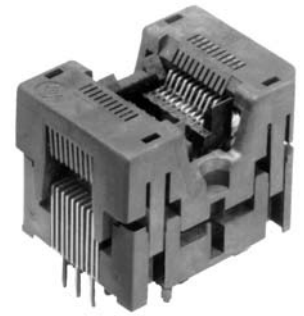


MATERIALS & SPECIFICATIONS

- Socket Body: PES, PEI, LCP or Equivalent
- Contact: Beryllium Copper Alloy
- Contact Plating: Gold over Nickel
- Contact Normal Force: 40 grams
- Contact Resistance: 50 mΩ
- Dielectric: 600V AC for 1 minute
- Temperature Rating: 150°C
- Insulation Resistance: 5,000 MΩ @ 500V DC
- Durability: 10,000 cycles min.

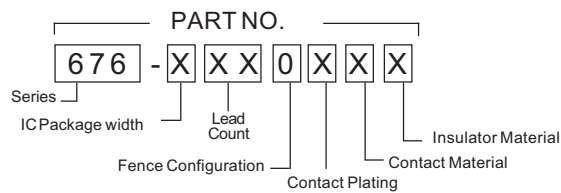
676 Series TSSOP Dual Pinch ZIF Socket

- Open top, Zero Insertion Force design for automatic loading
- Dual pinch, highly reliable contacts
- Live bug insertion



Lead Count	Pitch e (mm)	Package Dimensions (mm)			Part Number	Socket Dimensions (mm)		
		Width (E1)	Tip to Tip (E)	Length (D)		Length (A)	Width (B)	Height (C)
14	0.65	4.39	6.40	5.15	676-3140111	20.32	14.70	14.63
16	0.65	4.39	6.40	5.00	676-3160111	20.32	14.70	14.63
20	0.65	4.39	6.40	6.65	676-3200111	20.32	14.70	14.63

DESCRIPTION & ORDERING INFORMATION

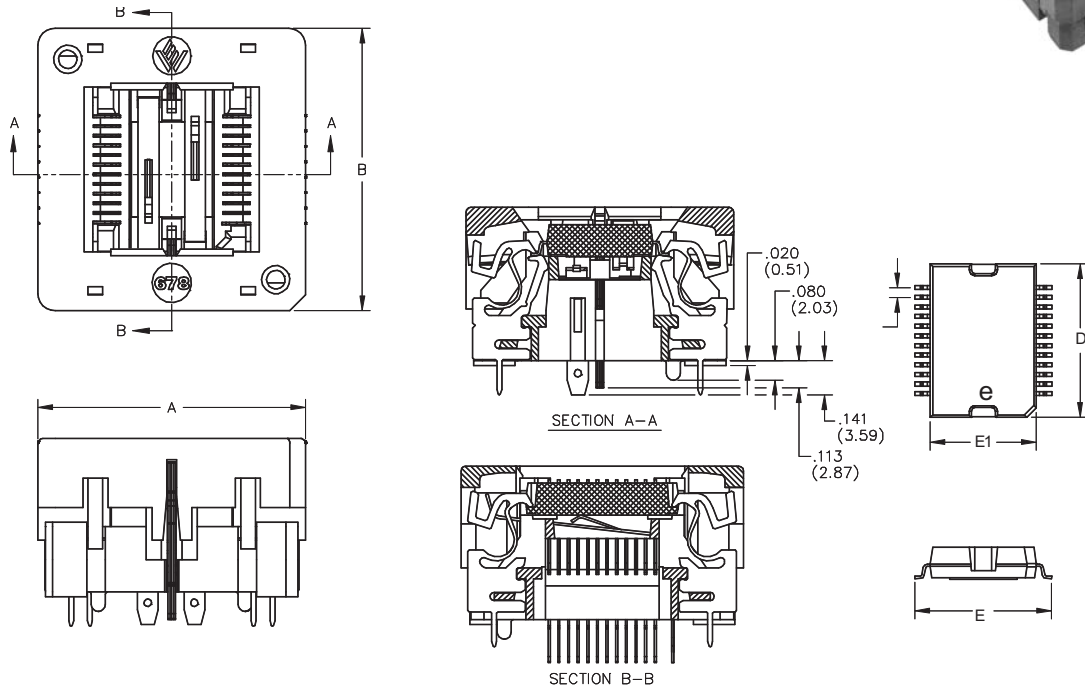


MATERIALS & SPECIFICATIONS

- Socket Body: PEI or Equivalent
- Contact: Beryllium Copper Alloy
- Contact Plating: Gold over Nickel
- Contact Normal Force: 30 grams
- Contact Resistance: 30 mΩ
- Dielectric: 600V AC for 2 minutes
- Temperature Rating: 150°C
- Insulation Resistance: 12,000 MΩ @ 100V DC
- Durability: 10,000 cycles min.

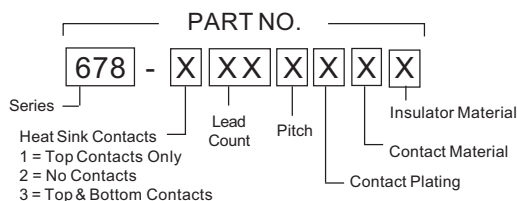
678 Series HSOP Socket for Small Outline "Heat Slug" Packages

- "Dual Pinch" highly reliable contacts
- Separate contacts for interfacing with heat slug
- Open top, Zero Insertion Force for automatic loading
- Compact size for high board density



Lead Count	Pitch e (mm)	Package Dimensions (mm)			Part Number	Socket Dimensions (mm)	
		Width (E1)	Lead Tip to Tip (E)	Length (D)		Length (A)	Width (B)
20	1.27	11.00	14.20	15.90	678-X201211	29.31	27.76
24	1.00	11.00	14.20	15.90	678-X242211	29.31	27.76
30	0.80	11.00	14.20	15.90	678-X303211	29.31	27.76
36	0.65	11.00	14.20	15.90	678-X364211	29.31	27.76
44	0.65	11.00	14.20	15.90	678-X444211	29.31	27.76

DESCRIPTION & ORDERING INFORMATION



MATERIALS & SPECIFICATIONS

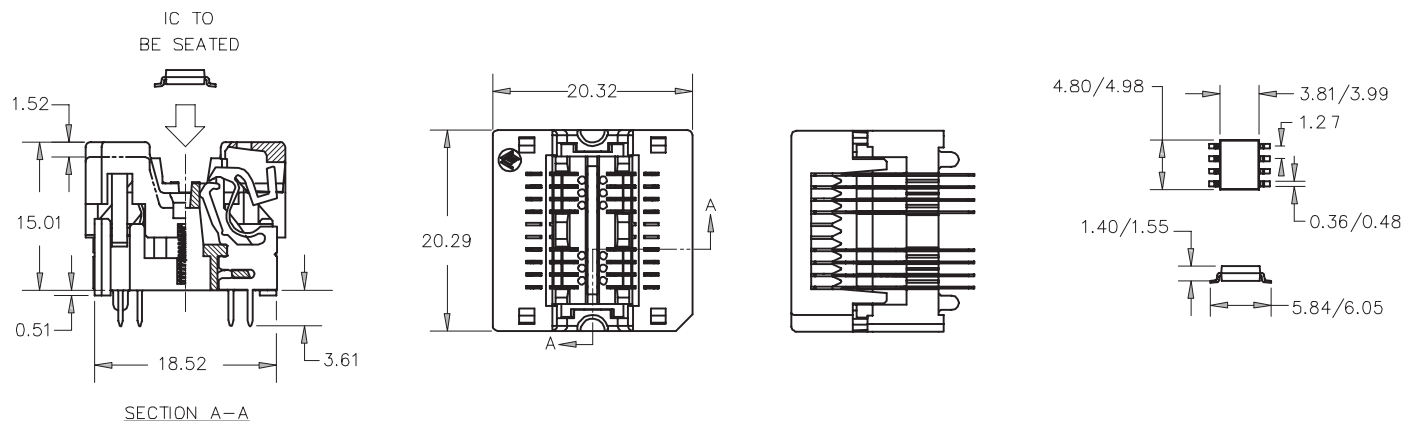
- Socket Body: PEI or Equivalent
- Contact: Beryllium Copper Alloy
- Contact Plating: Gold over Nickel
- Contact Normal Force: 30 grams
- Contact Resistance: 30 mΩ
- Dielectric: 600V AC for 2 minutes
- Temperature Rating: 150°C
- Insulation Resistance: 1000 MΩ @ 100V DC
- Durability: 5,000 cycles min.

689 Series SOP Dual Pinch Socket

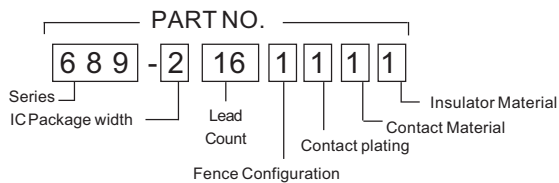
- Open top, Zero Insertion Force for automatic loading
- Dual pinch; highly reliable contacts
- Accepts two 8 pin SOP packages
- Live bug insertion
- Accommodates 1.27mm pitch packages



PART NUMBER: 689-2161111



DESCRIPTION & ORDERING INFORMATION

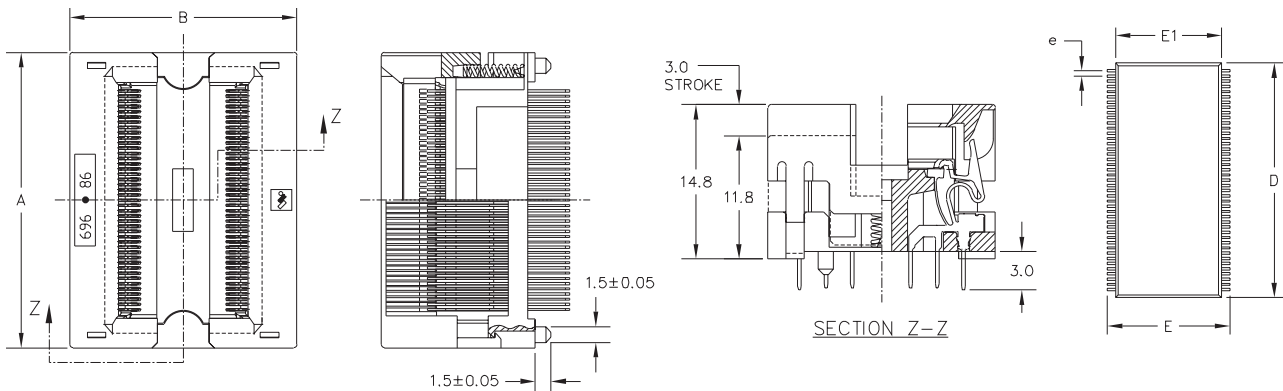


MATERIALS & SPECIFICATIONS

- Socket Body: PEI or Equivalent
- Contact: Beryllium Copper Alloy
- Contact Plating: Gold over Nickel
- Contact Normal Force: 30 grams
- Contact Resistance: 30 mΩ
- Dielectric: 600V AC for 2 minutes
- Temperature Rating: 150°C
- Durability: 5,000 cycles min.

696 Series TSOP-II Socket

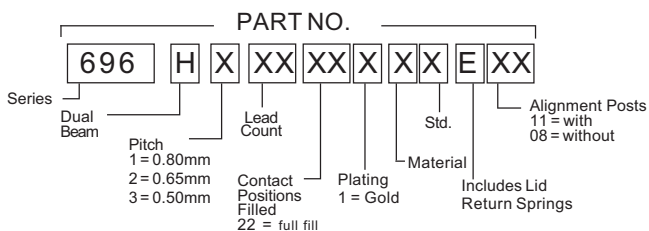
- Open top, Zero Insertion Force designed for automatic loading
- Highly reliable, dual pinch, pre-loaded contacts
- Live bug insertion
- Pinch style contact interface
- For 0.50mm, 0.65mm, and 0.80mm pitch packages



Lead Count	Pitch e (mm)	Package Dimensions (mm)			Part Number	Socket Dimensions (mm)	
		Width (E1)	Lead Tip to Tip (E)	Length (D)		Length (A)	Width (B)
54	0.80	10.20	11.80	22.40	* 696H1542213WE11	28.00	20.20
54	0.80	10.20	11.80	22.40	696H1542213WE08	28.00	20.20
66	0.65	10.20	11.80	22.40	* 696H2662213WE11	28.00	20.20
66	0.65	10.20	11.80	22.40	696H2662213WE08	28.00	20.20
86	0.50	10.16	11.76	22.52	* 696H3862213WE11	28.35	21.80
86	0.50	10.16	11.76	22.52	696H3862213WE08	28.35	21.80

* Includes alignment posts

DESCRIPTION & ORDERING INFORMATION

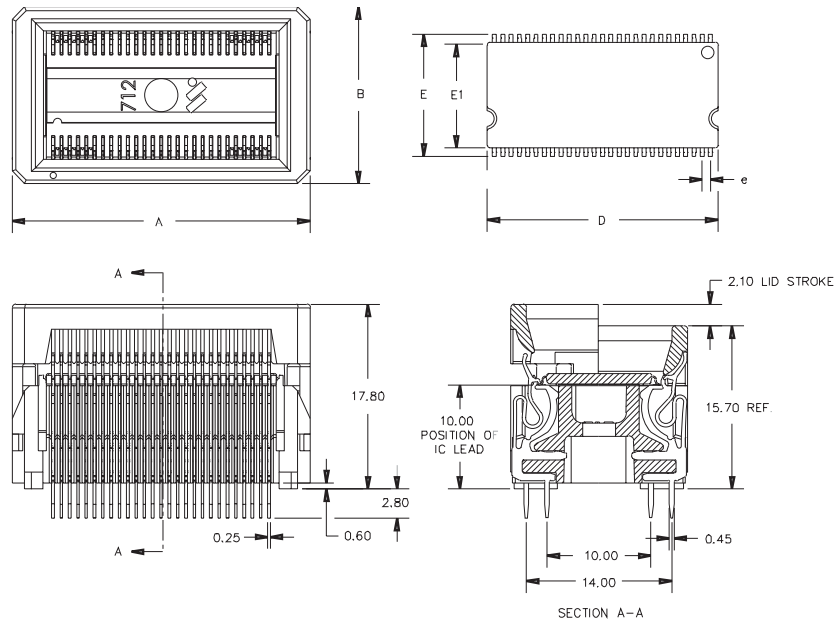


MATERIALS & SPECIFICATIONS

- Socket Body: PES, PEI, LCP or Equivalent
- Contact: Beryllium Copper Alloy
- Contact Plating: Gold over Nickel
- Contact Normal Force: 40 grams
- Contact Resistance: 50 mΩ
- Dielectric: 300V AC for 1 minute
- Temperature Rating: 150°C
- Insulation Resistance: 5,000 MΩ @ 500V DC
- Durability: 10,000 cycles min.

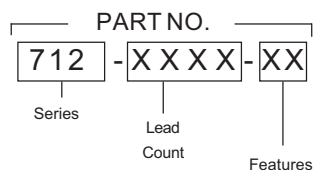
712 Series TSOP-II Socket

- "Compact style" for maximum board density
- Open top Zero Insertion Force design for automatic loading
- Highly reliable, dual pinch, pre-loaded contacts
- Live bug insertion
- For 0.65mm, 0.80mm, and 1.27mm pitch packages
- Lid holding force is 25% less than peak actuation force



Lead Count	Pitch e (mm)	Package Dimensions (mm)			Part Number	Socket Dimensions (mm)	
		Width (E1)	Lead Tip to Tip (E)	Length(D)		Length (A)	Width (B)
32	1.27	10.16	11.76	20.96	712-0032-03	27.18	17.02
50	0.80	10.16	11.76	20.96	712-0050-06	27.18	17.02
54	0.80	10.16	11.76	22.22	712-0054-01	28.70	17.02
66	0.65	10.16	11.76	22.22	712-0066-02	28.70	17.02

DESCRIPTION & ORDERING INFORMATION



MATERIALS & SPECIFICATIONS

- Socket Body: PEI or Equivalent
- Contact: Beryllium Copper Alloy
- Contact Plating: Gold over Nickel
- Contact Normal Force: 40 grams
- Contact Resistance: 50 mΩ
- Dielectric: 600V AC for 2 minutes
- Temperature Rating: 150°C
- Insulation Resistance: 1000 MΩ @ 500V DC
- Durability: 10,000 cycles min.