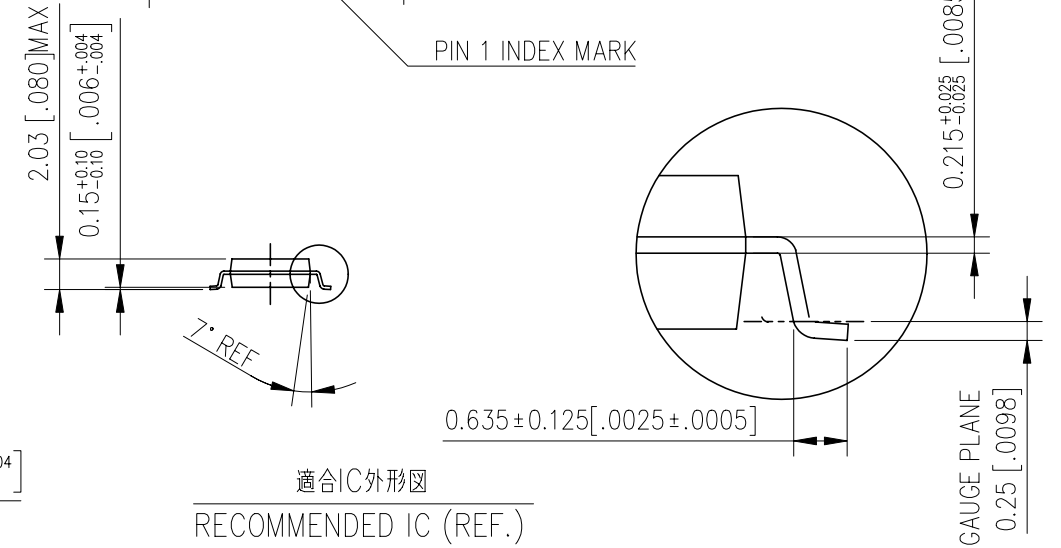
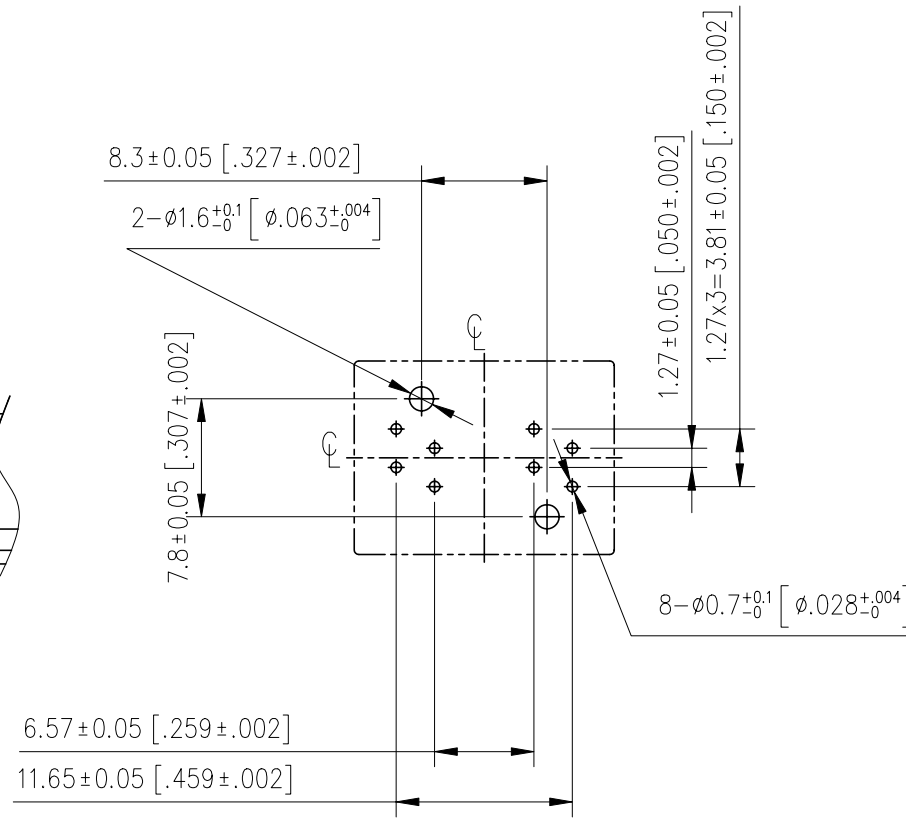
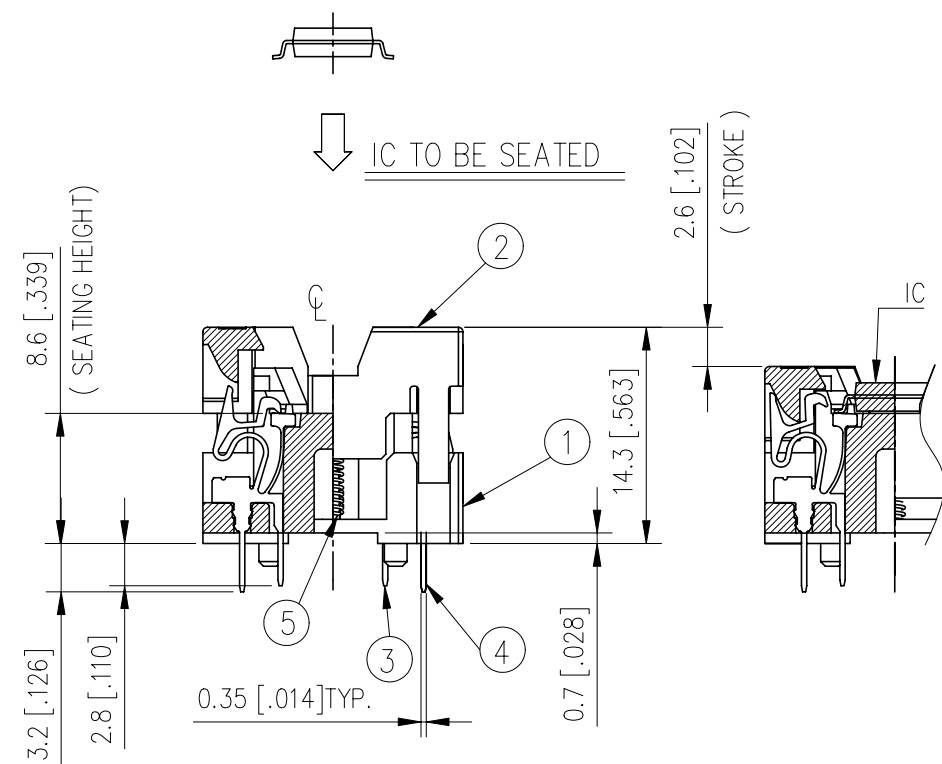
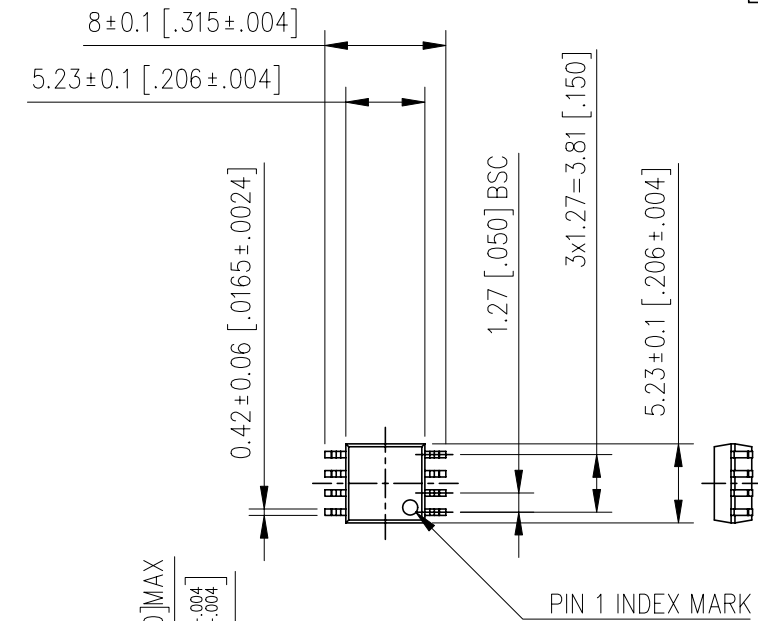
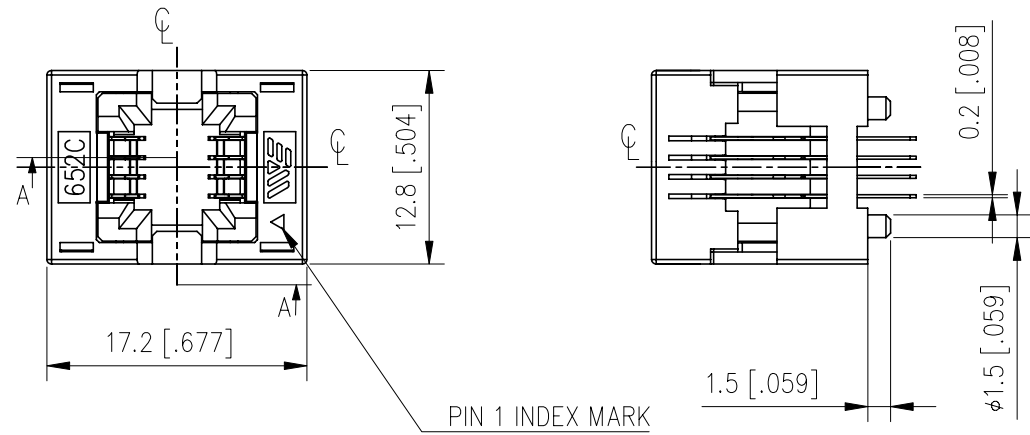


REV	DATE	ECO NO	BY
0	Feb 3 2005	ERN05030	KM



基板実装穴あけ寸法図(表面透視)

FOOTPRINT AS VIEWED LOOKING DOWN FROM TOP OF SOCKET

P.NO	PART DESCRIPTION	MATERIAL	QTY	NOTE
⑤	COVER SPRING	SUS	2	
④	CONTACT-(B)	BeCu	4	PLATING: Au
③	CONTACT-(A)	BeCu	4	PLATING: Au
②	COVER	PEI	1	COLOR : BLACK
①	BASE	PEI	1	COLOR : BLACK

THIS DOCUMENT CONTAINS PROPRIETARY DESIGNS, SPECIFICATIONS, DATA, INFORMATION AND TECHNICAL MATERIAL THAT ARE THE SOLE PROPERTY OF WELLS-CTI. THIS INFORMATION IS TO BE HELD AND TREATED BY ITS RECIPIENT ON A CONFIDENTIAL BASIS, AND IS NOT TO BE SHOWN OR DISCLOSED TO THIRD PARTY WITHOUT THE WRITTEN CONSENT OF WELLS-CTI. THIS DATA DOES NOT CONVEY MANUFACTURING RIGHTS TO ANY ITEMS SHOW.

この図面に含まれる技術情報の一部は WELLS-CTI 単独の所有権を有する。従って情報非開示の原則に基づき WELLS-CTI 社の書面による同意無しにこの図面を第三者に開示すること及び製造目的に使用することを禁ずる。

GENERAL TOLERANCES		
±0.3 [±0.012]		
UNIT	SCALE	ANGLE
mm[in.]	2X	3rd.
DRAWN	2 / 3 / '05	
K,Muto		
ENGINEER	2 / 3 / '05	
K,Muto		
CHECKED	2 / 3 / '05	
Y,Harada		
APPROVED	2 / 3 / '05	
K,Sato		



ウエルズ・シーティアイ 株式会社

PART NAME
652 SOP 1.27mm PITCH 8P SOCKET DUAL CONTACT

PART NUMBER
652C0082211W

DWG NUMBER
652MSA029

REV
0

SHEET
1/1