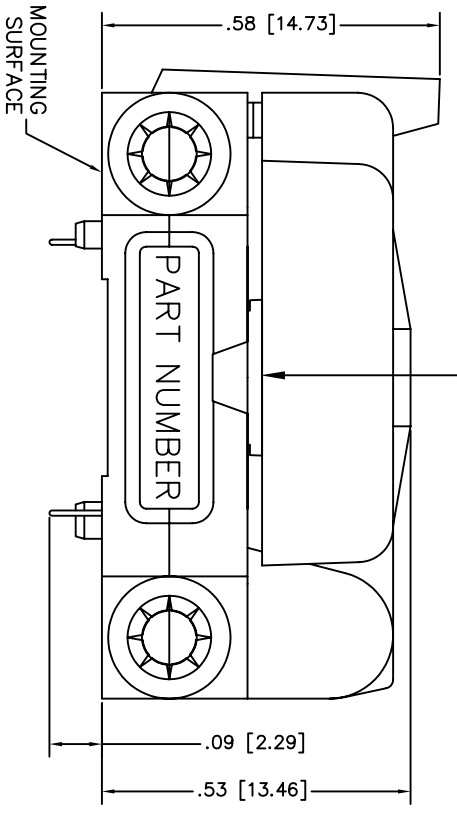
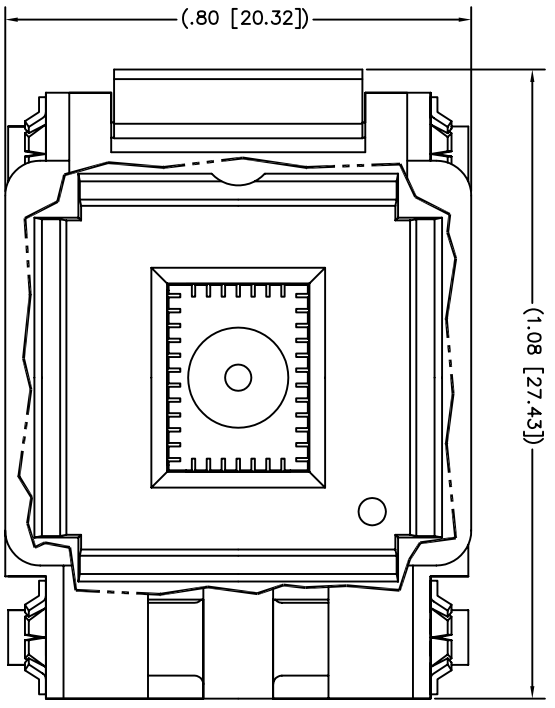
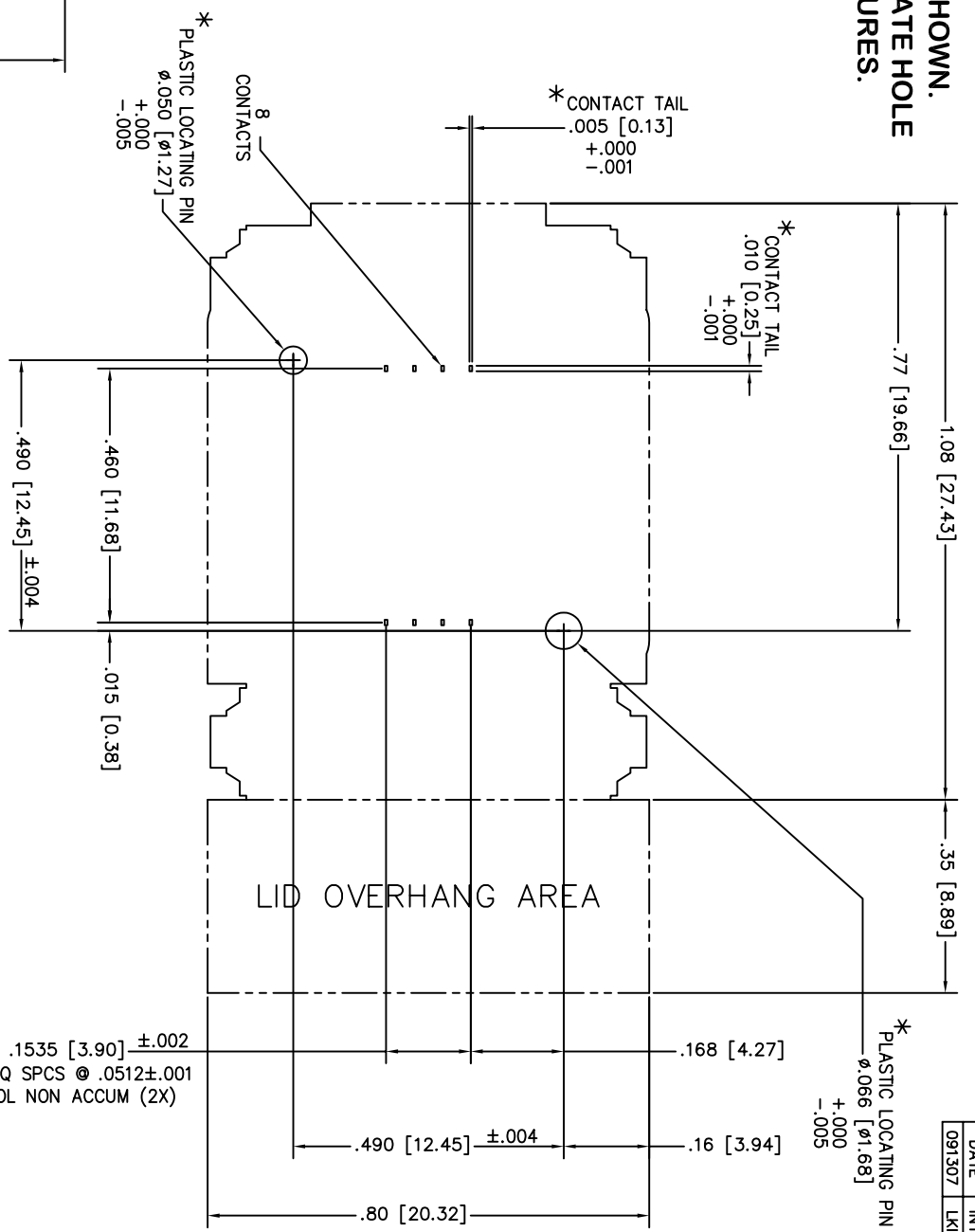


**NOTE : * DIMENSIONS OF SOCKET FEATURES SHOWN.
BOARD DESIGNER SHOULD SELECT APPROPRIATE HOLE
SIZES TO PROVIDE A SLIP FIT FOR THESE FEATURES.**



PLUNGER IS .230 [5.84] X .230 [5.84]
FOR A .028 [0.70] - .039 [1.00] THICK DEVICE



FOOTPRINT AS VIEWED FROM TOP OF SOCKET

PROPRIETARY

DEPOPULATED FROM :
38QN65T18060

PART NUMBER
08TN13A18060

THIS DRAWING IS SUBJECT TO CHANGE WITHOUT
NOTICE. PLEASE REQUEST A CURRENT DRAWING
WHEN LAYING OUT BOARDS.

FEATURES-A
= NO CENTER PIN

UNLESS OTHERWISE SPECIFIED
XXX = ±.003 SURFACE
XX = ±.010 FINISH
X = ±.015 ANGLE = 45°
ALL DIM ARE IN INCHES
ALL DIM (X2) ARE MILLIMETERS
REMOVE ALL BURS AND
SHAPE EDGES

DATE	1/1
SCALE	NONE
DWG	LKI
CHK	MAA
ENGR	060903
APP'D	

SIZE	C
DWG NO.	08TN13A18060
SH	1/1
TITLE	QFN SOCKET; 8 x 6mm, 1.30mm-PITCH; 8 CONTACTS; THRU-HOLE



DATE	091307
INT	LKI