

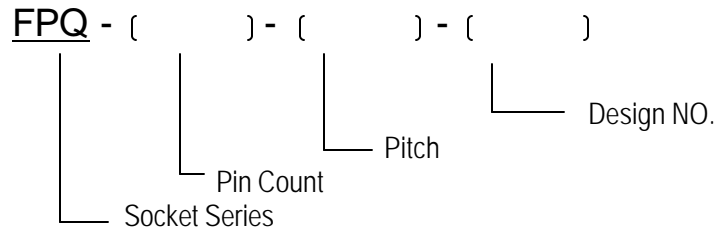
QFP

QUAD FLAT  
PACKAGE

Applicable IC/QFP • TQFP • MQFP • CQFP

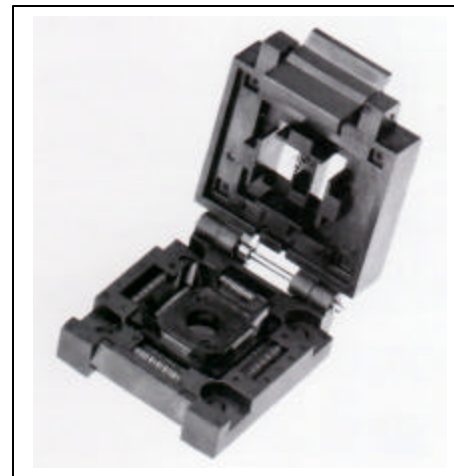
## CLAM SHELL TYPE SOCKETS

### ORDERING PROCEDURE



### SPECIFICATIONS

Contact resistance: Initial 30m $\Omega$  (At 10mA)  
Maximum voltage: AC700V RMS (for 1 minute)  
\* Below 0.5mm Pitch  
AC500V RMS (for 1 minute)  
Insulation resistance: 1,000M $\Omega$  or higher (At DC 500V)  
Rated current: 1A  
Operating temperature range: -60°C ~ +150°C  
Terminal strength against pulling: 0.5kg (1 minute)  
Insertion: Min. 10,000 times (Mechanical)



### MATERIAL

Body: PPS, PEI or PES  
Contact: BeCu, SnNiCu plating (Ni-base)

## APPLICABLE IC DIMENSIONS & SOCKET DIMENSIONS

### METRIC QFP STANDARD

Unit: mm

PART NO.	PIN COUNT	PITCH	APPLICABLE IC DIMENSIONS (REF.)			REMARKS
			A	B	C	
FPQ-44-0.8-16A	44	0.8 (32mil)	10X10 (0.393X0.393)	12X12 (0.474X0.474)	13.2X13.2 (0.519X0.519)	Short Lead
FPQ-44-0.8-14A	44	0.8 (32mil)	10X10 (0.393X0.393)	12.5X12.5 (0.492X0.492)	14.2X14.2 (0.599X0.599)	Long Lead
FPQ-44-0.8-14C	44	0.8 (32mil)	10X10 (0.393X0.393)	12.8X12.8 (0.503X0.503)	13.9X13.9 (0.547X0.547)	Long Lead
FPQ-52-0.65-02A	52	0.65 (26mil)	10X10 (0.393X0.393)	11.6X11.6 (0.456X0.456)	13.2X13.2 (0.519X0.519)	Short Lead
FPQ-52-0.65-01A	52	0.65 (26mil)	10X10 (0.393X0.393)	12.3X12.3 (0.484X0.484)	13.9X13.9 (0.547X0.547)	Long Lead
FPQ-52-0.65-04	52	0.65 (26mil)	10X10 (0.393X0.393)	11X11 (0.433X0.433)	12X12 (0.472X0.472)	
FPQ-64-0.8-13	64	0.8 (32mil)	14X14 (0.551X0.551)	15.6X15.6 (0.614X0.614)	17.2X17.2 (0.677X0.677)	Short Lead
FPQ-64-0.8-07	64	0.8 (32mil)	14X14 (0.551X0.551)	16.6X16.6 (0.653X0.653)	20X20 (0.787X0.787)	Long Lead
FPQ-80-0.65-02A	80	0.65 (26mil)	14X14 (0.551X0.551)	15.6X15.6 (0.614X0.614)	17.2X17.2 (0.677X0.677)	Short Lead

PART NO.	PIN COUNT	PITCH	APPLICABLE IC DIMENSIONS (REF.)			REMARKS
			A	B	C	
FPQ-80-0.8-12A	80	0.8 (32mil)	14X20 (0.551X0.787)	15.6X15.6 (0.614X0.614)	17.2X23.2 (0.677X0.913)	Short Lead
FPQ-80-0.8-13A	80	0.8 (32mil)	14X20 (0.551X0.787)	16.2X22.2 (0.637X0.874)	19.6X25.6 (0.771X1.007)	Long Lead
FPQ-100-0.65-16A	100	0.65 (26mil)	14X20 (0.551X0.787)	15.8X21.8 (0.622X0.858)	17.2X23.2 (0.677X0.913)	Short Lead
FPQ-100-0.65-11A	100	0.65 (26mil)	14X20 (0.551X0.787)	16.2X22.2 (0.637X0.874)	17.6X23.6 (0.693X0.929)	Long Lead
FPQ-120-0.8-03A	120	0.8 (32mil)	28X28 (1.102X1.102)	30.8X30.8 (1.212X1.212)	31.9X31.9 (1.256X1.256)	Long Lead
FPQ-120-0.8-04A	120	0.8 (32mil)	28X28 (1.102X1.102)	30.3X30.3 (1.193X1.193)	31.2X31.2 (1.228X1.228)	Short Lead
FPQ-128-0.8-04A	128	0.8 (32mil)	28X28 (1.102X1.102)	30.4X30.4 (1.197X1.197)	31.2X31.2 (1.228X1.228)	Short Lead
FPQ-128-0.8-03	144	0.8 (32mil)	28X28 (1.102X1.102)	30.6X30.6 (1.204X1.204)	31.9X31.9 (1.256X1.256)	Long Lead
FPQ-144-0.65-01A	144	0.65 (26mil)	28X28 (1.102X1.102)	30.3X30.3 (1.193X1.193)	31.2X31.2 (1.228X1.228)	Short Lead
FPQ-144-0.65-02A	144	0.65 (26mil)	28X28 (1.102X1.102)	30.9X30.9 (1.216X1.216)	31.9X31.9 (1.256X1.256)	Long Lead
FPQ-160-0.65-02A	160	0.65 (26mil)	28X28 (1.102X1.102)	30.6X30.6 (1.204X1.204)	32X32 (1.259X1.259)	Long Lead
FPQ-160-0.65-04A	160	0.65 (26mil)	28X28 (1.102X1.102)	30.5X30.5 (1.200X1.200)	32X32 (1.259X1.259)	Long Lead
FPQ-160-0.65-09A	160	0.65 (26mil)	28X28 (1.102X1.102)	30.5X30.5 (1.200X1.200)	32X32 (1.259X1.259)	Long Lead

PART NO.	PIN COUNT	PITCH	APPLICABLE IC DIMENSIONS (REF.)			REMARKS
			A	B	C	
FPQ-160-0.65-10	160	0.65 (26mil)	28X28 (1.102X1.102)	29.6X29.6 (1.165X1.165)	31.2X31.2 (1.228X1.228)	Short Lead
FPQ-208-0.5-06	208	0.5 (19.6mil)	28X28 (1.102X1.102)	29.8X29.8 (1.172X1.172)	30.6X30.6 (1.204X1.204)	Lead Guide
FPQ-208-0.5-09	208	0.5 (19.6mil)	28.25X28.25 (1.111X1.111)	29.6X29.6 (1.165X1.165)	30.6X30.6 (1.204X1.204)	Mold Guide
FPQ-208-0.5-11	208	0.5 (19.6mil)	27.64X27.64 (1.087X1.087)	29.6X29.6 (1.165X1.165)	30.6X30.6 (1.204X1.204)	Lead Guide
FPQ-304-0.5-04	304	0.5 (19.6mil)	40X40 (1.574X1.574)	41.6X41.6 (1.637X1.637)	42.6X42.6 (1.677X1.677)	Mold Guide

PART NO.	PIN COUNT	PITCH	APPLICABLE IC DIMENSIONS (REF.)			REMARKS
			A	B	C	
FPQ-32-0.65-01	32	0.65 (26mil)	7X7 (0.275X0.275)	8.2X8.2 (0.322X0.322)	9X9 (0.354X0.354)	
FPQ-36-0.8-01	36	0.8 (32mil)	10X7 (0.393X0.275)	11X8 (0.433X0.314)	12X9 (0.472X0.359)	
FPQ-44-0.8-06T	44	0.8 (32mil)	10X10 (0.393X0.393)	11.44X11.44 (0.450X0.450)	12.6X12.6 (0.496X0.496)	
FPQ-44-0.8-06B	44	0.8 (32mil)	10X10 (0.393X0.393)	11.44X11.44 (0.450X0.450)	12.6X12.6 (0.496X0.496)	
FPQ-44-0.8-17	44	0.8 (32mil)	10X10 (0.393X0.393)	11.24X11.24 (0.442X0.442)	12.4X12.4 (0.488X0.488)	
FPQ-48-0.65-02	48	0.65 (26mil)	10X10 (0.393X0.393)	11.1X11.1 (0.437X0.437)	12.2X12.2 (0.480X0.480)	
FPQ-48-0.8-01	48	0.8 (32mil)	10X10 (0.393X0.393)	12.1X12.1 (0.476X0.476)	13.1X13.1 (0.515X0.515)	
FPQ-48-0.8-06	48	0.8 (32mil)	12X12 (0.472X0.472)	13X13 (0.511X0.511)	14.5X14.5 (0.570X0.570)	
FPQ-48-0.8-05	48	0.8 (32mil)	12X12 (0.472X0.472)	14.2X14.2 (0.559X0.559)	15.3X15.3 (0.602X0.602)	
FPQ-56-0.65-01	56	0.65 (26mil)	9.5X10.5 (0.374X0.413)	11.1X12.1 (0.437X0.476)	13.5X14.5 (0.531X0.570)	
FPQ-56-1.0-01	56	1.0 (39mil)	20X14 (0.787X0.551)	22X18 (0.866X0.708)	24X20 (0.944X0.787)	
FPQ-60-1.0-01	60	1.0 (39mil)	20X14 (0.787X0.551)	22X18 (0.866X0.708)	24X22 (0.944X0.787)	
FPQ-64-0.65-02	64	0.65 (26mil)	12X12 (0.472X0.472)	13.6X13.6 (0.535X0.535)	14.6X14.6 (0.574X0.574)	

Unit: mm (in.)

PART NO.	PIN COUNT	PITCH	APPLICABLE IC DIMENSIONS (REF.)			REMARKS
			A	B	C	
FPQ-64-0.8-09A	64	0.8 (32mil)	14X14 (0.551X0.551)	15.6X15.6 (0.614X0.614)	16.6X16.6 (0.653X0.653)	Short Lead
FPQ-64-0.8-10A	64	0.8 (32mil)	14X14 (0.551X0.551)	15.6X15.6 (0.614X0.614)	17.2X17.2 (0.677X0.677)	
FPQ-64-1.0-08A	64	1.0 (39mil)	20X14 (0.787X0.551)	23X17 (0.905X0.669)	25.5X19.6 (1.007X0.771)	
FPQ-80-0.65-01A	80	0.65 (26mil)	14X14 (0.551X0.551)	16.2X16.2 (0.637X0.637)	17.2X17.2 (0.677X0.677)	
FPQ-80-0.65-05A	80	0.65 (26mil)	14X14 (0.551X0.551)	14.8X14.8 (0.582X0.582)	15.6X15.6 (0.614X0.614)	
FPQ-80-0.8-11A	80	0.8 (32mil)	20X14 (0.787X0.551)	22.4X16.4 (0.881X0.654)	24.8X18.8 (0.976X0.740)	
FPQ-88-0.8-01A	88	0.8 (32mil)	20X20 (0.787X0.787)	22.2X22.2 (0.874X0.874)	25.6X25.6 (1.007X1.007)	
FPQ-100-0.5-06A	100	0.5 (19.6mil)	14X14 (0.551X0.551)	16.1X16.1 (0.633X0.633)	17.2X17.2 (0.236X0.236)	
FPQ-100-0.65-10D	100	0.65 (26mil)	20X14 (0.787X0.551)	16.4X22.4 (0.645X0.881)	25X19 (0.984X0.748)	
FPQ-112-0.65-01	112	0.65 (26mil)	20X20 (0.787X0.787)	22X22 (0.866X0.866)	23.2X23.2 (0.913X0.913)	
FPQ-112-0.65-02	112	0.65 (26mil)	20X20 (0.787X0.787)	21.7X21.7 (0.853X0.853)	23.2X23.2 (0.913X0.913)	
FPQ-120-0.8-02	120	0.8 (32mil)	28X28 (1.102X1.102)	30.4X30.4 (1.196X1.196)	32X32 (1.259X1.259)	Two pieces
FPQ-120-0.8-07	120	0.8 (32mil)	28X28 (1.102X1.102)	30.4X30.4 (1.196X1.196)	31.9X31.9 (1.256X1.256)	

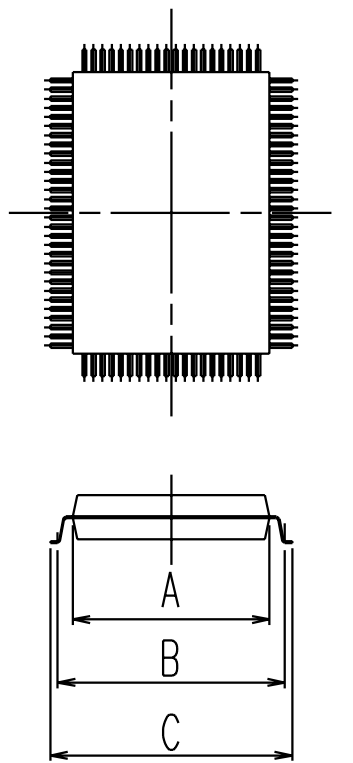
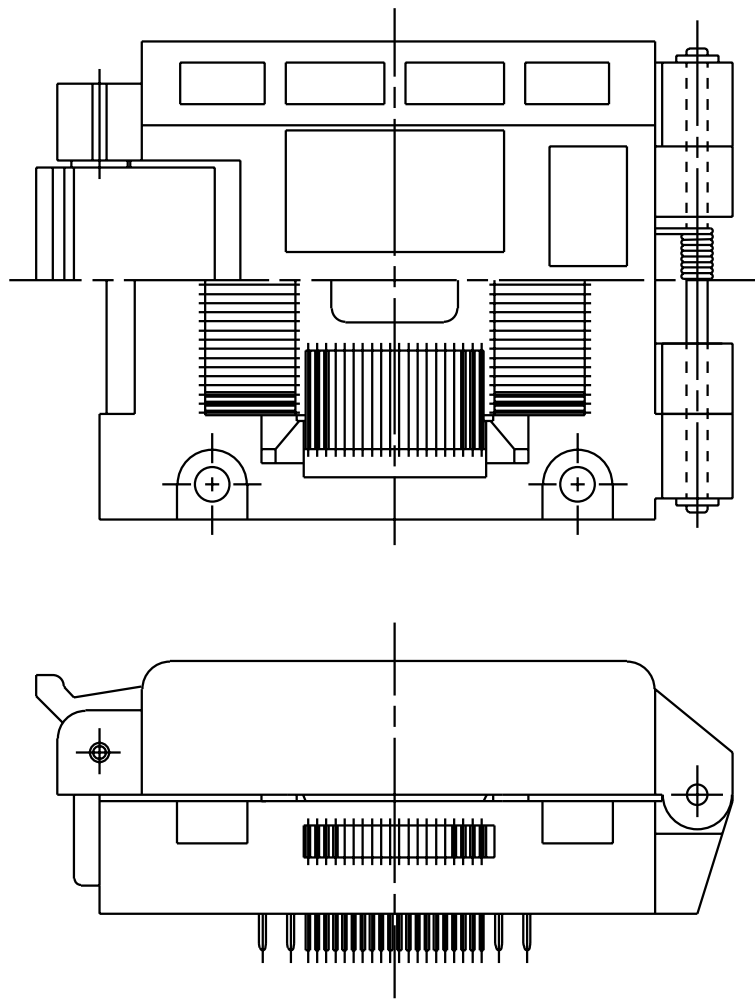
Unit: mm (in.)

PART NO.	PIN COUNT	PITCH	APPLICABLE IC DIMENSIONS (REF.)			REMARKS
			A	B	C	
FPQ-124-0.8-01	124	0.8 (32mil)	28X28 (1.102X1.102)	30.5X30.5 (1.200X1.200)	31.2X31.2 (1.228X1.228)	
FPQ-128-0.5-01A	128	0.5 (19.6mil)	20X14 (0.787X0.551)	22.3X16.3 (0.878X0.642)	23.6X17.6 (0.929X0.693)	Mold Guide
FPQ-128-0.5-03A	128	0.5 (19.6mil)	20X14 (0.787X0.551)	22.3X16.3 (0.878X0.642)	23.6X17.2 (0.913X0.677)	Mold Guide
FPQ-120(128)-0.5-03A	120	0.5 (19.6mil)	20X14 (0.787X0.551)	22.3X16.3 (0.878X0.642)	23.2X17.2 (0.913X0.677)	Mold Guide
FPQ-128-0.8-02A	128	0.8 (32mil)	28X28 (1.102X1.102)	30.6X30.6 (1.204X1.204)	33.2X33.2 (1.307X1.307)	
FPQ-132-0.635-07C	132	0.635 (25mil)	22.15X22.15 (0.872X0.872)	26.45X26.45 (1.041X1.041)	27.75X27.75 (1.092X1.092)	CQUAD
FPQ-136-0.8-02	136	0.8 (32mil)	28X28 (1.102X1.102)	29.6X29.6 (1.165X1.165)	31.2X31.2 (1.228X1.228)	
FPQ-148-0.65-02	148	0.65 (26mil)	28X28 (1.102X1.102)	30.5X30.5 (1.200X1.200)	31.2X31.2 (1.228X1.228)	
FPQ-160-0.65-07	160	0.65 (26mil)	28X28 (1.102X1.102)	30X30 (1.181X1.181)	32X32 (1.259X1.259)	With Floating
FPQ-168-0.65-02	168	0.65 (26mil)	28X28 (1.102X1.102)	29.6X29.6 (1.165X1.165)	31.2X31.2 (1.228X1.228)	
FPQ-208-0.5-02	208	0.5 (19.6mil)	28X28 (1.102X1.102)	30.3X30.3 (1.192X1.192)	31.3X31.3 (1.232X1.232)	Long Lead
FPQ-240-0.5-02	240	0.5 (19.6mil)	31.64X31.64 (1.245X1.245)	33.6X33.6 (1.322X1.322)	34.6X34.6 (1.362X1.362)	MQUAD
FPQ-240-0.5-03	240	0.5 (19.6mil)	32X32 (1.102X1.102)	33.6X33.6 (1.322X1.322)	34.6X34.6 (1.362X1.362)	PQFP

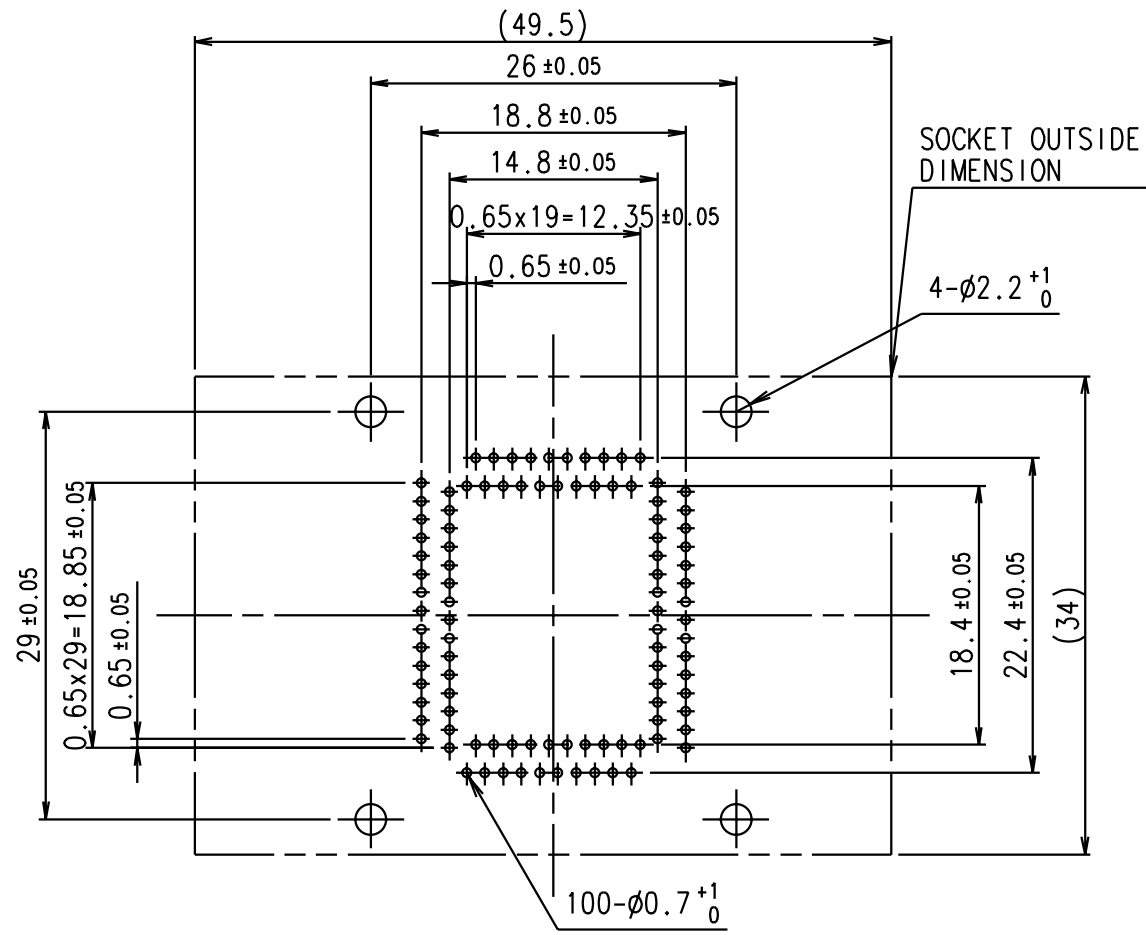
Unit: mm (in.)

PART NO.	PIN COUNT	PITCH	APPLICABLE IC DIMENSIONS (REF.)			REMARKS
			A	B	C	
FPQ-240-0.5-04	240	0.5 (19.6mil)	32X32 (1.102X1.102)	33.9X33.9 (1.362X1.362)	34.6X34.6 (1.362X1.362)	
FPQ-240-0.5-05	240	0.5 (19.6mil)	31.04X31.04 (1.222X1.222)	33.9X33.9 (1.362X1.362)	34.6X34.6 (1.362X1.362)	
FPQ-304-0.5-03	304	0.5 (19.6mil)	40X40 (1.574X1.574)	41.6X41.6 (1.637X1.637)	42.6X42.6 (1.677X1.677)	MQUAD
FPQ-304-0.5-05	304	0.5 (19.6mil)	40X40 (1.574X1.574)	41.6X41.6 (1.637X1.637)	42.6X42.6 (1.677X1.677)	CQFP
FPQ-304-0.5-07	304	0.5 (19.6mil)	40X40 (1.574X1.574)	41.6X41.6 (1.637X1.637)	42.6X42.6 (1.677X1.677)	CQFP





FPQ-100-0.65  
(REFERENCE ONLY)



FPQ-100-0.65  
(REFERENCE ONLY)